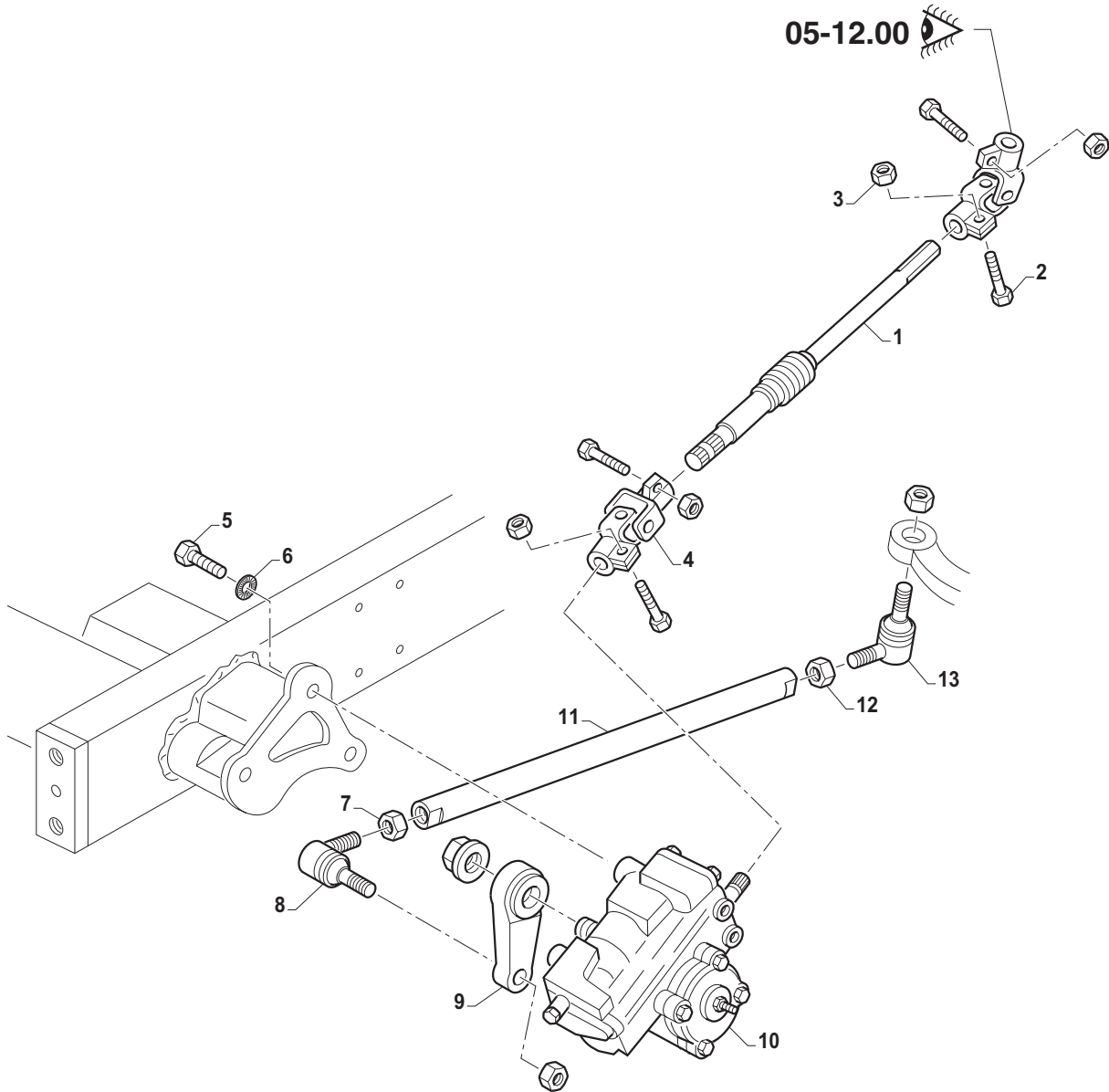




**GRUPPO  
GROUP**

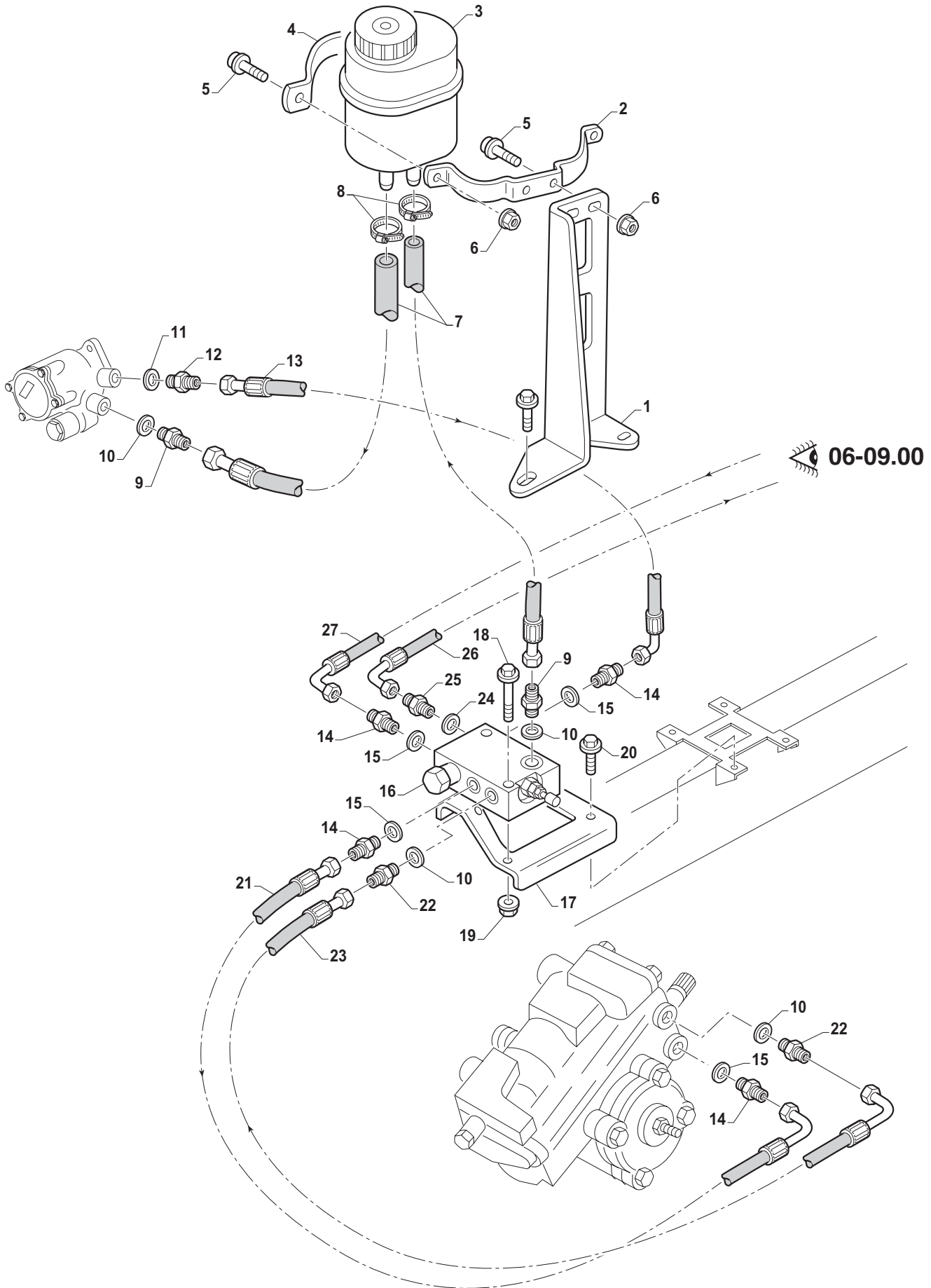
**06**





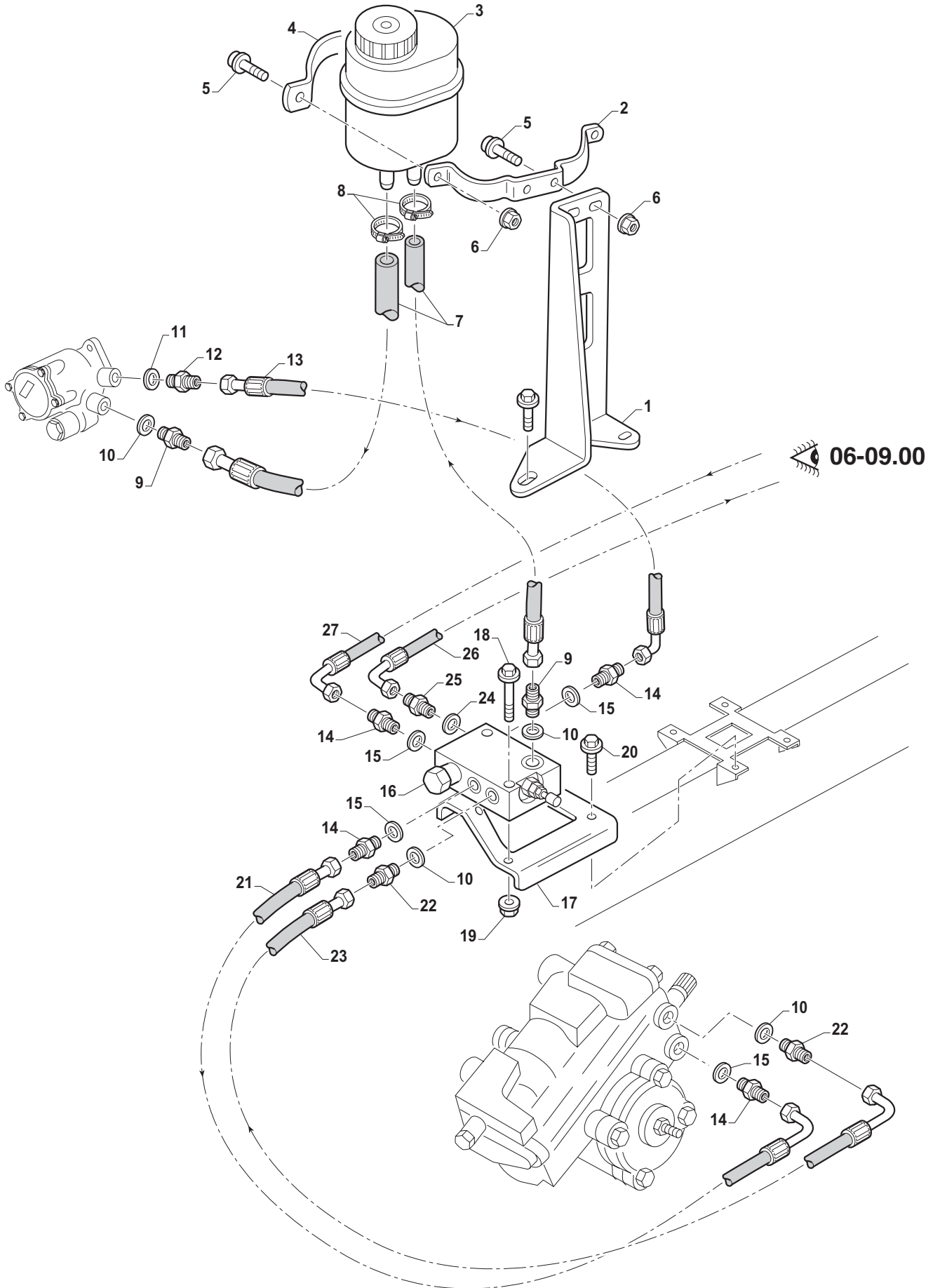
Item	Cod.	Q.tà	Denominazione	Designation	Description	Benennung	Descripción
1	30063011	1	Albero	Axe	Pin	Welle	Arbol
2	30052267	1	Vite	Vis	Screw	Schraube	Tornillo
3	41471001	1	Dado	Ecrou	Nut	Mutter	Tuerca
4	30063003	1	Giunto	Accomplement	Coupling	Gelenk	Arrastre
5	40031812	3	Vite	Vis	Screw	Schraube	Tornillo
6	41051800	3	Rondella	Rondelle	Washer	Scheibe	Arandela
7	30064062	1	Dado SX	Ecrou G	Nut LH	Mutter LKS	Tuerca IZQ
8	30063008	1	Snodo SX	Joint G	Joint LH	Gelenk LKS	Articulacion IZQ
9	30063004	1	Leva sterzo	Levier de direction	Steering lever	Lenkhebel	Palanca dirección
10	30063000	1	Idroguida	Hydro-direction	Hyd.steering	Servolenkung	Caja
11	30063013	1	Tirante	Tirant	Link	Zugstange	Tirante
12	30064061	1	Dado DX	Ecrou D	Nut RH	Mutter RTS	Tuerca DCHA
13	30063007	1	Snodo DX	Joint D	Joint RH	Gelenk RTS	Articulacion DCHA

NOTE:



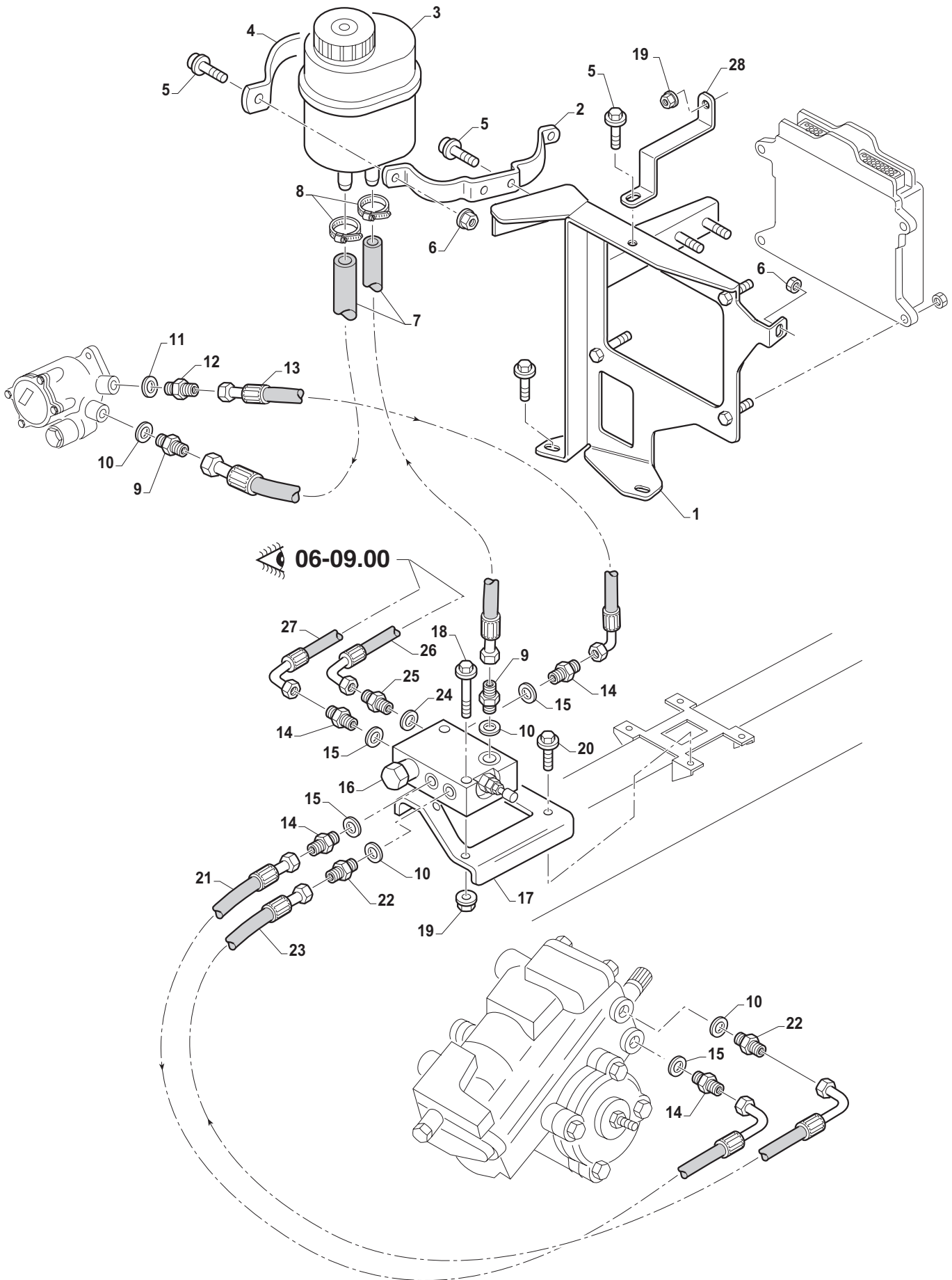
Item	Cod.	Q.tà	Denominazione	Designation	Description	Benennung	Descripción
1	30052188	1	Staffa	Etrier	Bracket	Halter	Soporte
2	30053056	1	Staffa	Etrier	Bracket	Halter	Soporte
3	30063001	1	Serbatoio	Reservoir	Tank	Tank	Deposito de petroleo
4	30053057	1	Collare	Collier	Collar	Schelle	Collar
5	40040606	4	Vite	Vis	Screw	Schraube	Tomillo
6	41480600	6	Dado	Ecrou	Nut	Mutter	Tuerca
7	30063015	2	Tubo	Tuyau	Hose	Rohr	Manga
8	30052228	2	Fascetta	Collier	Strap	Halteband	Abrazadera
9	45101822	2	Nipplo	Racord	Connection	Stutzen	Nipplo
10	45081800	4	Guarnizione	Joint	Gasket	Dichtung	Junta
11	45081400	1	Guarnizione	Joint	Gasket	Dichtung	Junta
12	45101416	1	Nipplo	Racord	Connection	Stutzen	Nipplo
13	30063014	1	Tubo	Tuyau	Hose	Rohr	Manga
14	45101616	4	Nipplo	Racord	Connection	Stutzen	Nipplo
15	45081600	4	Guarnizione	Joint	Gasket	Dichtung	Junta
16	30063009	1	Blocco	Block	Pad	Block	Bloque
17	30043084	1	Mensola	Console	Reinforcement	Verstaerkung	Refuerzo
18	40091028	2	Vite	Vis	Screw	Schraube	Tomillo
19	41481000	2	Dado	Ecrou	Nut	Mutter	Tuerca
20	40081010	2	Vite	Vis	Screw	Schraube	Tomillo
21	30063017	1	Tubo	Tuyau	Hose	Rohr	Manga
22	45101818	2	Nipplo	Racord	Connection	Stutzen	Nipplo
23	30063018	1	Tubo	Tuyau	Hose	Rohr	Manga
24	45081200	1	Guarnizione	Joint	Gasket	Dichtung	Junta
25	45101212	1	Nipplo	Racord	Connection	Stutzen	Nipplo
26	30063019	1	Tubo	Tuyau	Hose	Rohr	Manga
27	30063020	1	Tubo	Tuyau	Hose	Rohr	Manga

NOTE:



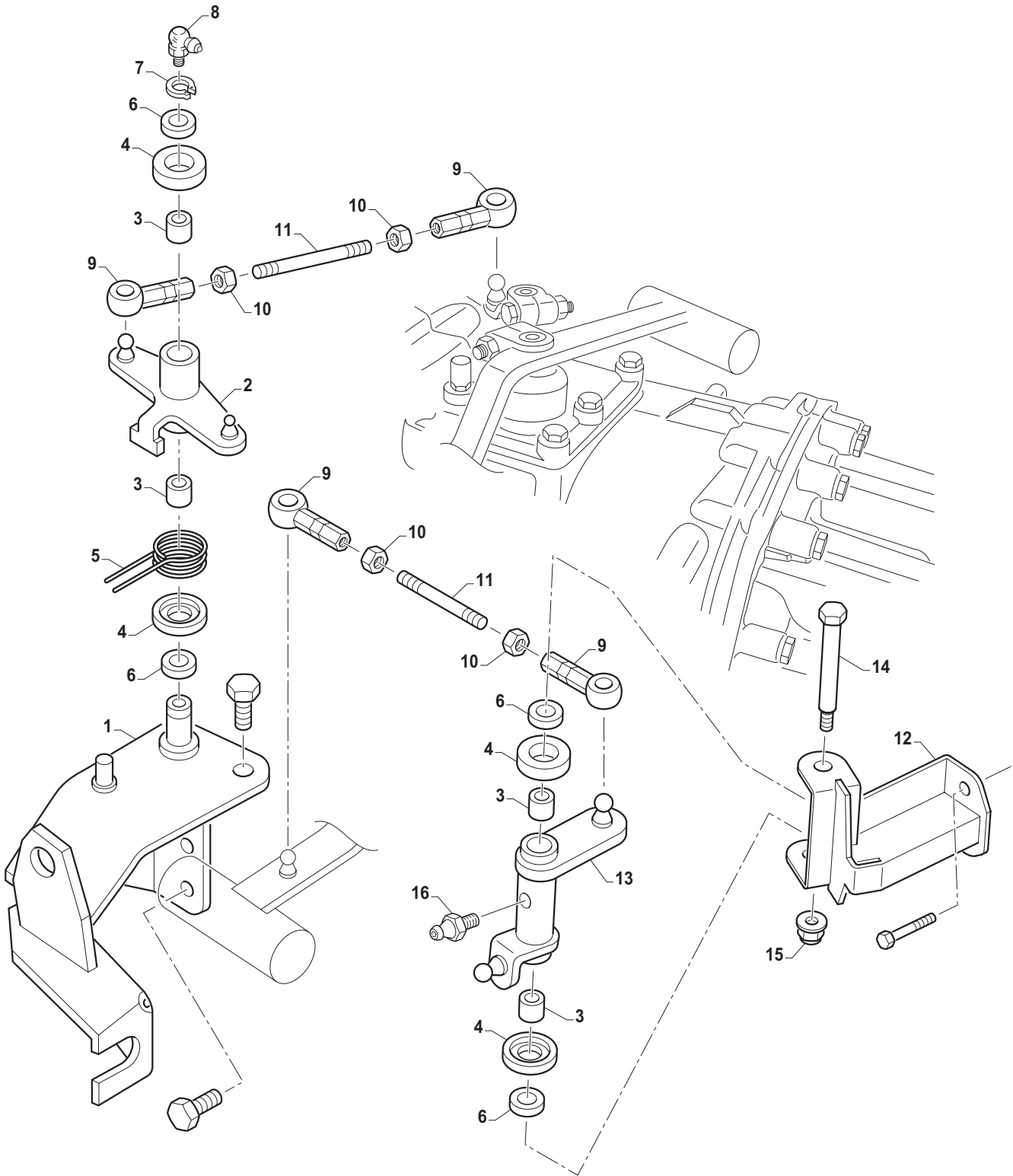
Item	Cod.	Q.tà	Denominazione	Designation	Description	Benennung	Descripción
1	30052188	1	Staffa	Etrier	Bracket	Halter	Soporte
2	30053056	1	Staffa	Etrier	Bracket	Halter	Soporte
3	30063001	1	Serbatoio	Reservoir	Tank	Tank	Deposito de petroleo
4	30053057	1	Collare	Collier	Collar	Schelle	Collar
5	40040606	4	Vite	Vis	Screw	Schraube	Tomillo
6	41480600	6	Dado	Ecrou	Nut	Mutter	Tuerca
7	30063064	2	Tubo	Tuyau	Hose	Rohr	Manga
8	30052228	2	Fascetta	Collier	Strap	Halteband	Abrazadera
9	45160818	2	Nipplo	Racord	Connection	Stutzen	Nipplo
10	45081800	4	Guarnizione	Joint	Gasket	Dichtung	Junta
11	45081400	1	Guarnizione	Joint	Gasket	Dichtung	Junta
12	45101416	1	Nipplo	Racord	Connection	Stutzen	Nipplo
13	30063014	1	Tubo	Tuyau	Hose	Rohr	Manga
14	45101616	4	Nipplo	Racord	Connection	Stutzen	Nipplo
15	45081600	4	Guarnizione	Joint	Gasket	Dichtung	Junta
16	30063009	1	Blocco	Block	Pad	Block	Bloque
17	30043084	1	Mensola	Console	Reinforcement	Verstaerkung	Refuerzo
18	40091028	2	Vite	Vis	Screw	Schraube	Tomillo
19	41481000	2	Dado	Ecrou	Nut	Mutter	Tuerca
20	40081010	2	Vite	Vis	Screw	Schraube	Tomillo
21	30063017	1	Tubo	Tuyau	Hose	Rohr	Manga
22	45101818	2	Nipplo	Racord	Connection	Stutzen	Nipplo
23	30063018	1	Tubo	Tuyau	Hose	Rohr	Manga
24	45081200	1	Guarnizione	Joint	Gasket	Dichtung	Junta
25	45160412	1	Nipplo	Racord	Connection	Stutzen	Nipplo
26	30063052	1	Tubo	Tuyau	Hose	Rohr	Manga
27	30063020	1	Tubo	Tuyau	Hose	Rohr	Manga

NOTE:



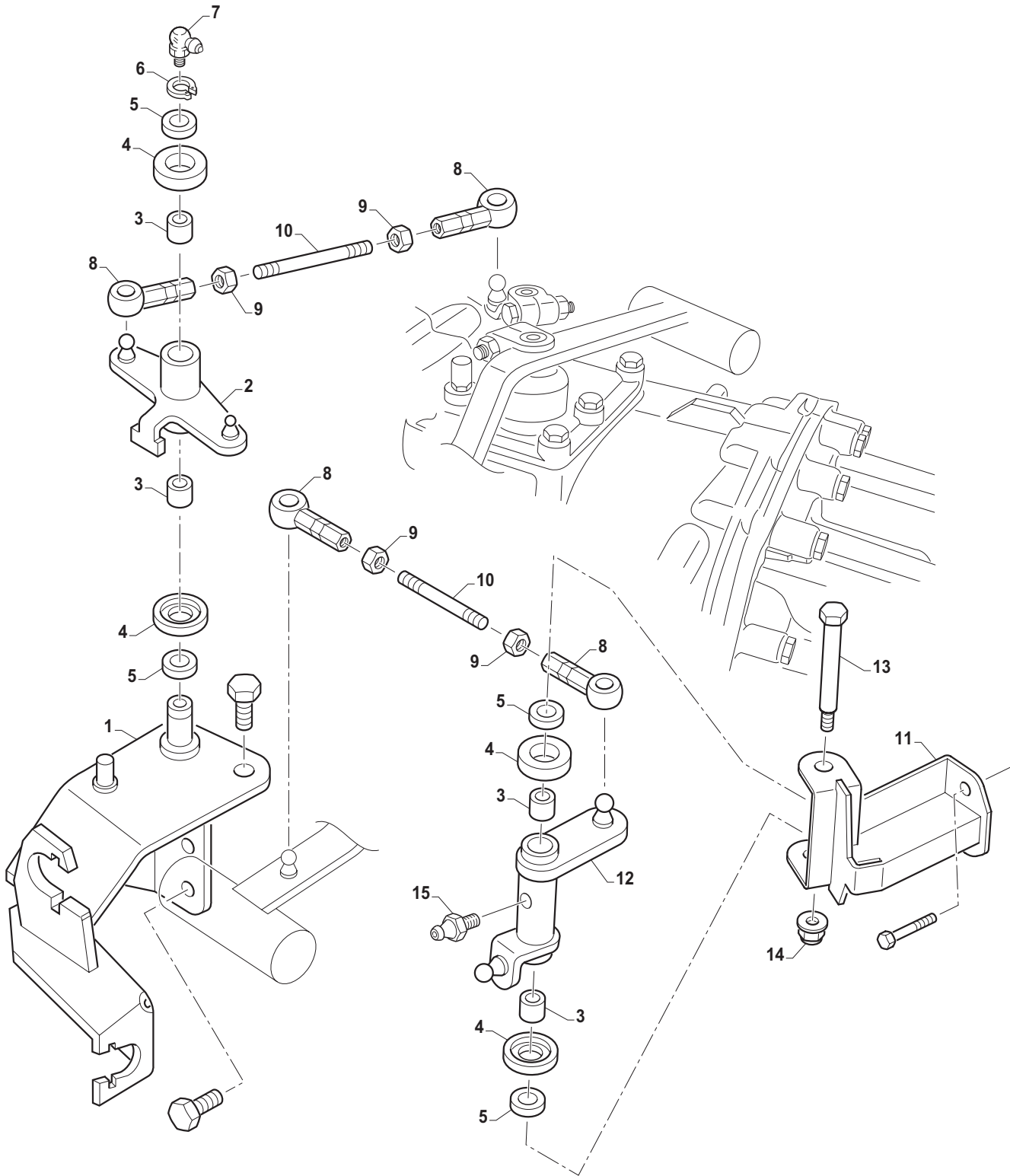
Item	Cod.	Q.tà	Denominazione	Designation	Description	Benennung	Descripción
1	30052387	1	Staffa	Etrier	Bracket	Halter	Soporte
2	30053056	1	Staffa	Etrier	Bracket	Halter	Soporte
3	30063001	1	Serbatoio	Reservoir	Tank	Tank	Deposito
4	30053057	1	Collare	Collier	Collar	Schelle	Collar
5	40040606	5	Vite	Vis	Screw	Schraube	Tornillo
6	41480600	7	Dado	Ecrou	Nut	Mutter	Tuerca
7	30063064	2	Tubo	Tuyau	Hose	Rohr	Manga
8	30052228	2	Fascetta	Collier	Strap	Halteband	Abrazadera
9	45160818	2	Nipplo	Racord	Connection	Stutzen	Nipplo
10	45081800	4	Guarnizione	Joint	Gasket	Dichtung	Junta
11	45081400	1	Guarnizione	Joint	Gasket	Dichtung	Junta
12	45101416	1	Nipplo	Racord	Connection	Stutzen	Nipplo
13	30063014	1	Tubo	Tuyau	Hose	Rohr	Manga
14	45101616	4	Nipplo	Racord	Connection	Stutzen	Nipplo
15	45081600	4	Guarnizione	Joint	Gasket	Dichtung	Junta
16	30063009	1	Blocco	Block	Pad	Block	Bloque
17	30043084	1	Mensola	Console	Reinforcement	Verstaerkung	Refuerzo
18	40091028	2	Vite	Vis	Screw	Schraube	Tornillo
19	41481000	3	Dado	Ecrou	Nut	Mutter	Tuerca
20	40081010	2	Vite	Vis	Screw	Schraube	Tornillo
21	30063017	1	Tubo	Tuyau	Hose	Rohr	Manga
22	45101818	2	Nipplo	Racord	Connection	Stutzen	Nipplo
23	30063018	1	Tubo	Tuyau	Hose	Rohr	Manga
24	45081200	1	Guarnizione	Joint	Gasket	Dichtung	Junta
25	45160412	1	Nipplo	Racord	Connection	Stutzen	Nipplo
26	30063052	1	Tubo	Tuyau	Hose	Rohr	Manga
27	30063020	1	Tubo	Tuyau	Hose	Rohr	Manga
28	30053101	1	Staffa	Etrier	Bracket	Halter	Soporte

NOTE:



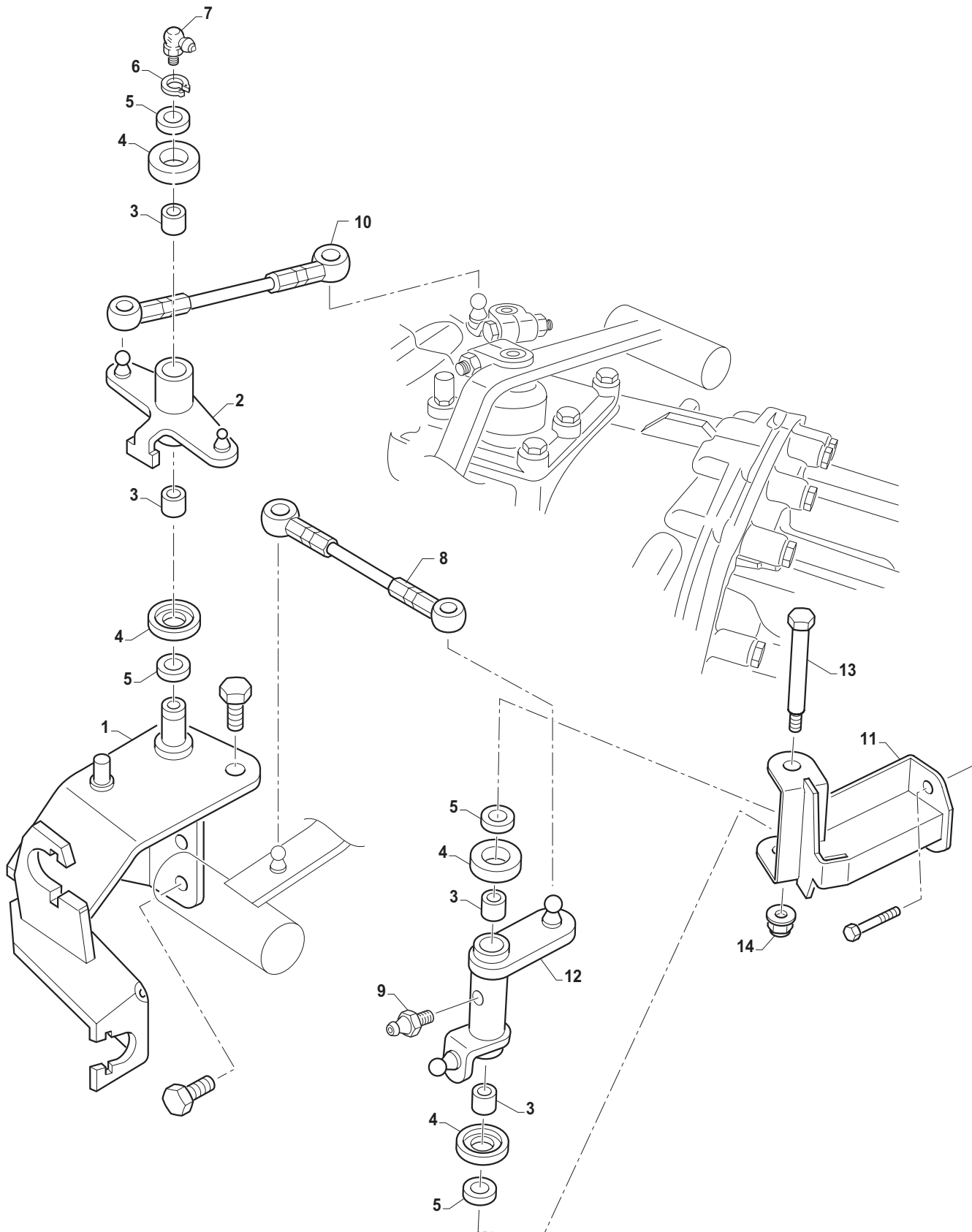
Item	Cod.	Q.tà	Denominazione	Designation	Description	Benennung	Descripción
1	30063030	1	Supporto	Support	Support	Halterung	Soporte
2	30064037	1	Leva	Levier	Lever	Hebel	Palanca
3	43511200	4	Astuccio a rullini	Boîtier à aiguilles	Needle casing	Nadelkäfig	Estuche de rodillos
4	30064058	4	Scodellino	Cuvette	Cup	Tellerscheibe	Platillo
5	30064047	1	Molla	Ressort	Spring	Feder	Resorte
6	41061200	2	Rasamento	Rondelle de nivellement	Shim	Beilage	Nivelación
7	42091000	1	Anello elastico	Segments	Piston ring	Kolbenringe	Aros de embolo
8	45060690	1	Ingrassatore	Graisseur	Fitting	Schmiernippel	Engrasador
9	30064034	4	Testina sferica	Tête sphérique	Ball head	Kugelkopf	Cabeza esférica
10	41420600	4	Dado	Ecrou	Nut	Mutter	Tuerca
11	30064060	2	Tirante	Tirant	Link	Zugstange	Tirante
12	30063025	1	Supporto	Support	Support	Halterung	Soporte
13	30064035	1	Leva	Levier	Lever	Hebel	Palanca
14	30064041	1	Perno	Axe	Pin	Bolzen	Eje
15	41481000	1	Dado	Ecrou	Nut	Mutter	Tuerca
16	45060600	1	Ingrassatore	Graisseur	Fitting	Schmiernippel	Engrasador

NOTE:



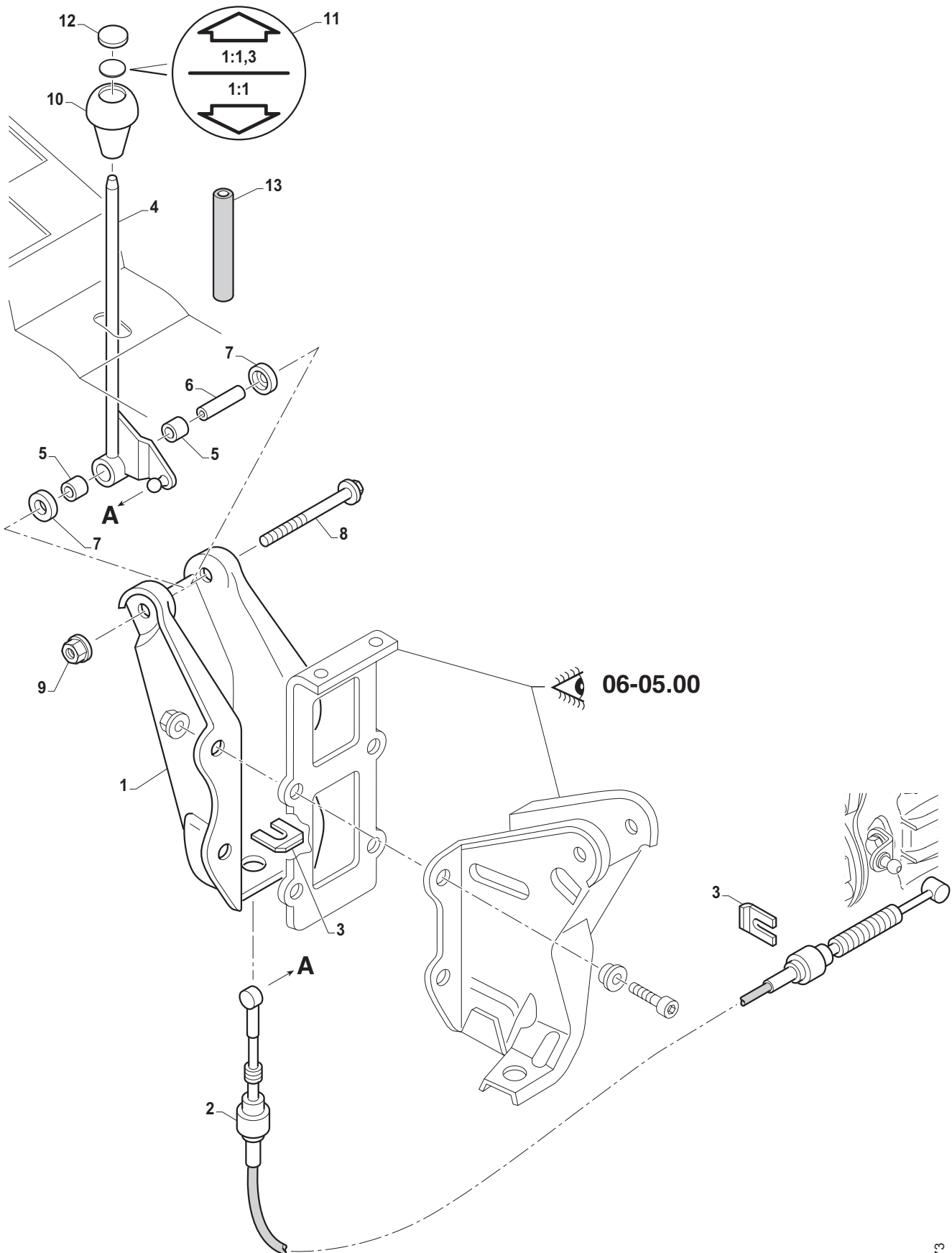
Item	Cod.	Q.tà	Denominazione	Designation	Description	Benennung	Descripción
1	30063030	1	Supporto	Support	Support	Halterung	Soporte
2	30064037	1	Leva	Levier	Lever	Hebel	Palanca
3	43511200	4	Astuccio a rullini	Boîtier à aiguilles	Needle casing	Nadelkäfig	Estuche de rodillos
4	30064058	4	Scodellino	Cuvette	Cup	Tellerscheibe	Platillo
5	41061200	2	Rasamento	Rondelle de nivellement	Shim	Beilage	Nivelación
6	42091000	1	Anello elastico	Segments	Piston ring	Kolbenringe	Aros de embolo
7	45060690	1	Ingrassatore	Graisseur	Fitting	Schmiernippel	Engrasador
8	30064034	4	Testina sferica	Tête sphérique	Ball head	Kugelkopf	Cabeza esférica
9	41420600	4	Dado	Ecrou	Nut	Mutter	Tuerca
10	30064060	2	Tirante	Tirant	Link	Zugstange	Tirante
11	30063025	1	Supporto	Support	Support	Halterung	Soporte
12	30064035	1	Leva	Levier	Lever	Hebel	Palanca
13	30064041	1	Perno	Axe	Pin	Bolzen	Eje
14	41481000	1	Dado	Ecrou	Nut	Mutter	Tuerca
15	45060600	1	Ingrassatore	Graisseur	Fitting	Schmiernippel	Engrasador

NOTE:



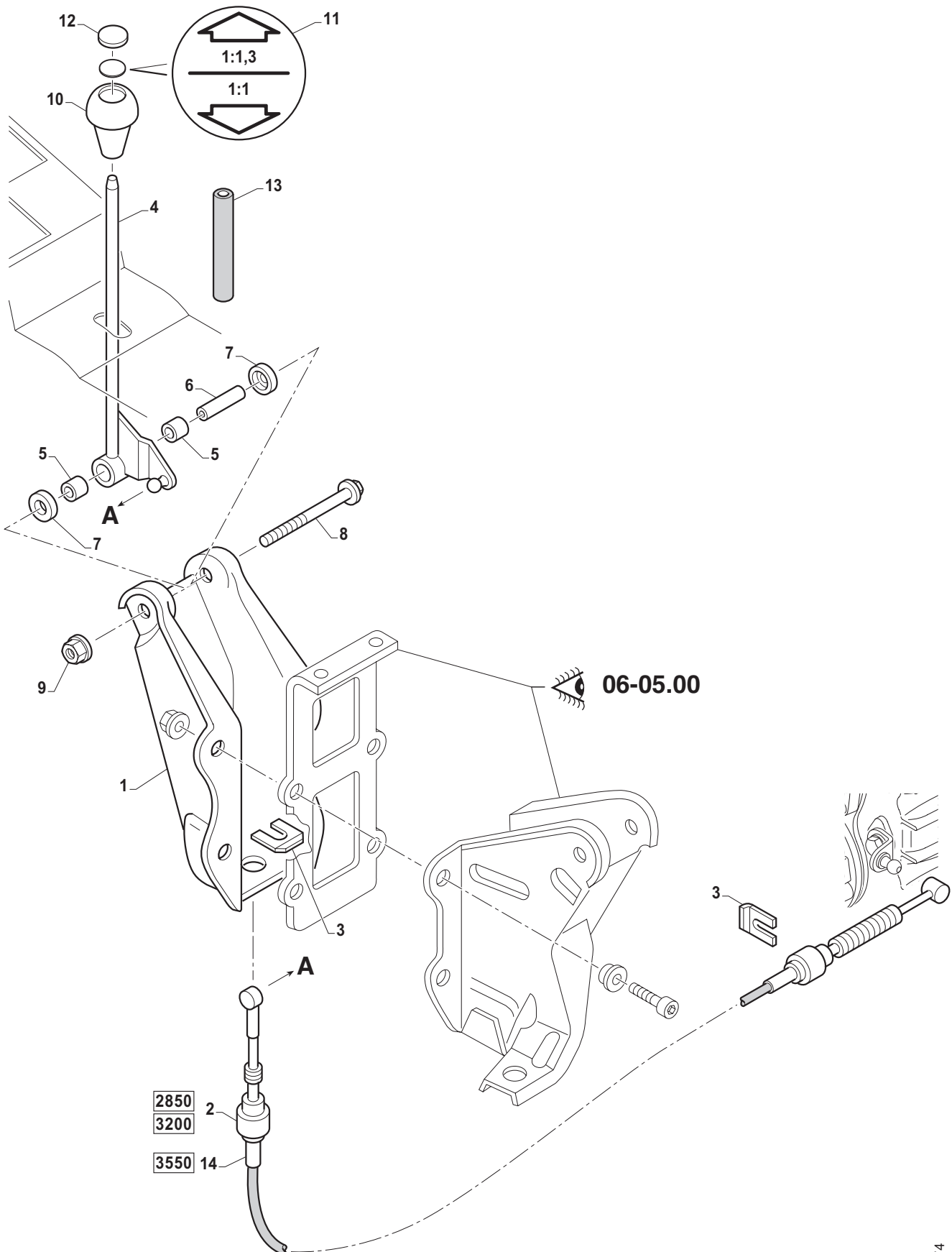
Item	Cod.	Q.tà	Denominazione	Designation	Description	Benennung	Descripción
1	30063030	1	Supporto	Support	Support	Halterung	Soporte
2	30064037	1	Leva	Levier	Lever	Hebel	Palanca
3	43511200	4	Astuccio a rullini	Boîtier à aiguilles	Needle casing	Nadelkäfig	Estuche de rodillos
4	30064058	4	Scodellina	Godet	Cap	Bund	Tejuelo
5	41061200	2	Rasamento	Rondelle de nivellement	Shim	Beilage	Nivelación
6	42091000	1	Anello elastico	Segments	Piston ring	Kolbenringe	Aros de embolo
7	45060690	1	Ingrassatore	Graisseur	Fitting	Schmiernippel	Engrasador
8	30064120	1	Tirante	Tirant	Link	Zugstange	Tirante
9	45060600	1	Ingrassatore	Graisseur	Fitting	Schmiernippel	Engrasador
10	30064119	1	Tirante	Tirant	Link	Zugstange	Tirante
11	30063025	1	Supporto	Support	Support	Halterung	Soporte
12	30064035	1	Leva	Levier	Lever	Hebel	Palanca
13	30064041	1	Perno	Axe	Pin	Bolzen	Eje
14	41481000	1	Dado	Ecrou	Nut	Mutter	Tuerca

NOTE:



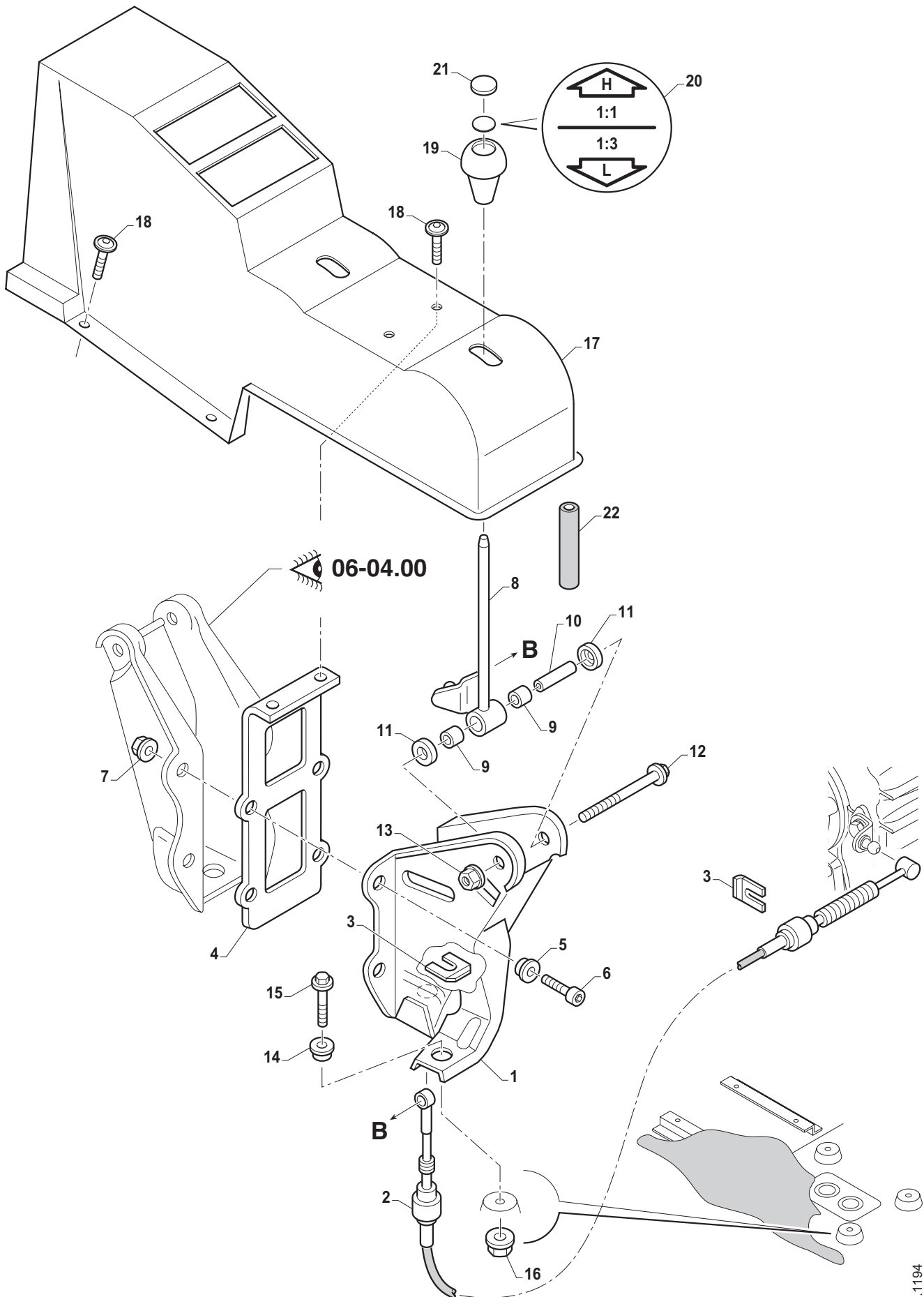
Item	Cod.	Q.tà	Denominazione	Designation	Description	Benennung	Descripción
1	30062014	1	Supporto	Support	Support	Halterung	Soporte
2	30063039	1	Cavo flessibile	Tirette command	Bowden assy.	Bowdenzug	Bowden
3	30064059	2	Molletta	Pince	Clip	Feder	Muelle
4	30064026	1	Leva	Levier	Lever	Hebel	Palanca
5	43511200	2	Astuccio a rullini	Boîtier à aiguilles	Needle casing	Nadelkäfig	Estuche de rodillos
6	30064057	1	Distanziale	Entretoise	Spacer	Distanzstueck	Separador
7	30064058	2	Scodellina	Godet	Cap	Bund	Tejuelo
8	40090620	1	Vite	Vis	Screw	Schraube	Tornillo
9	41480600	1	Dado	Ecrou	Nut	Mutter	Tuerca
10	46056500	1	Pomolo	Knebelgriff	Bouton	Knob	Boton
11	30064066	1	Ideogramma	Idéogramme	Ideogram	Ideogramm	Ideograma
12	46066500	1	Oblò	Hublot	Window	Kontrollfenster	Portilla
13	46100012	-	Guaina	Enveloppe	Sheath	Kabel	

NOTE:



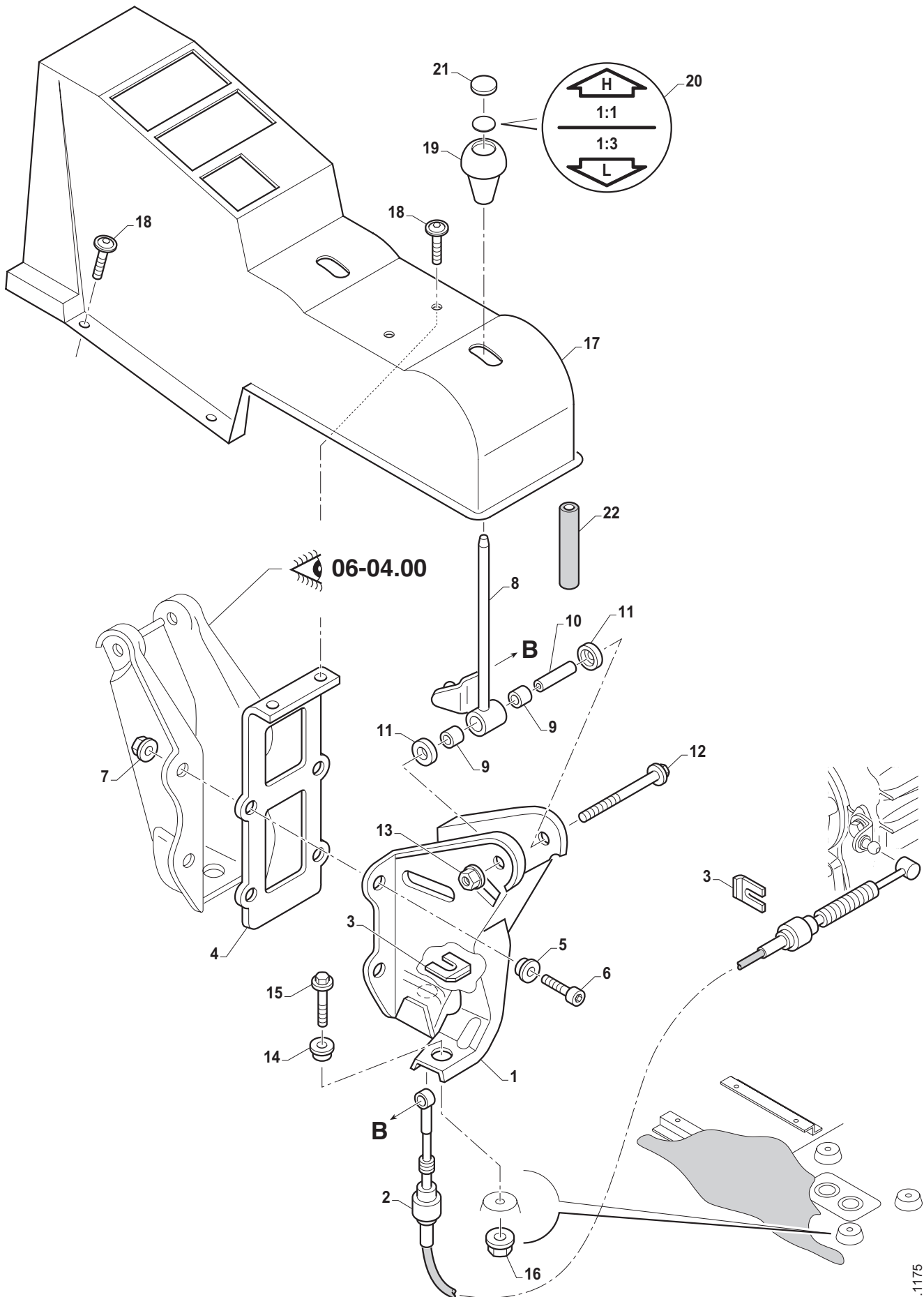
Item	Cod.	Q.tà	Denominazione	Designation	Description	Benennung	Descripción
1	30062014	1	Supporto	Support	Support	Halterung	Soporte
2	30063039	1	Cavo flessibile	Tirette command	Bowden assy.	Bowdenzug	Bowden
3	30064059	2	Molletta	Pince	Clip	Feder	Muelle
4	30064026	1	Leva	Levier	Lever	Hebel	Palanca
5	43511200	2	Astuccio a rullini	Boîtier à aiguilles	Needle casing	Nadelkäfig	Estuche de rodillos
6	30064057	1	Distanziale	Entretoise	Spacer	Distanzstueck	Separador
7	30064058	2	Scodellina	Godet	Cap	Bund	Tejuelo
8	40090620	1	Vite	Vis	Screw	Schraube	Tornillo
9	41480600	1	Dado	Ecrou	Nut	Mutter	Tuerca
10	46056500	1	Pomolo	Knebelgriff	Bouton	Knob	Boton
11	30064066	1	Ideogramma	Idéogramme	Ideogram	Ideogramm	Ideograma
12	46066500	1	Oblò	Hublot	Window	Kontrollfenster	Portilla
13	46100012	-	Guaina	Enveloppe	Sheath	Kabel	
14	30063073	1	Cavo flessibile	Tirette command	Bowden assy.	Bowdenzug	Bowden

NOTE:



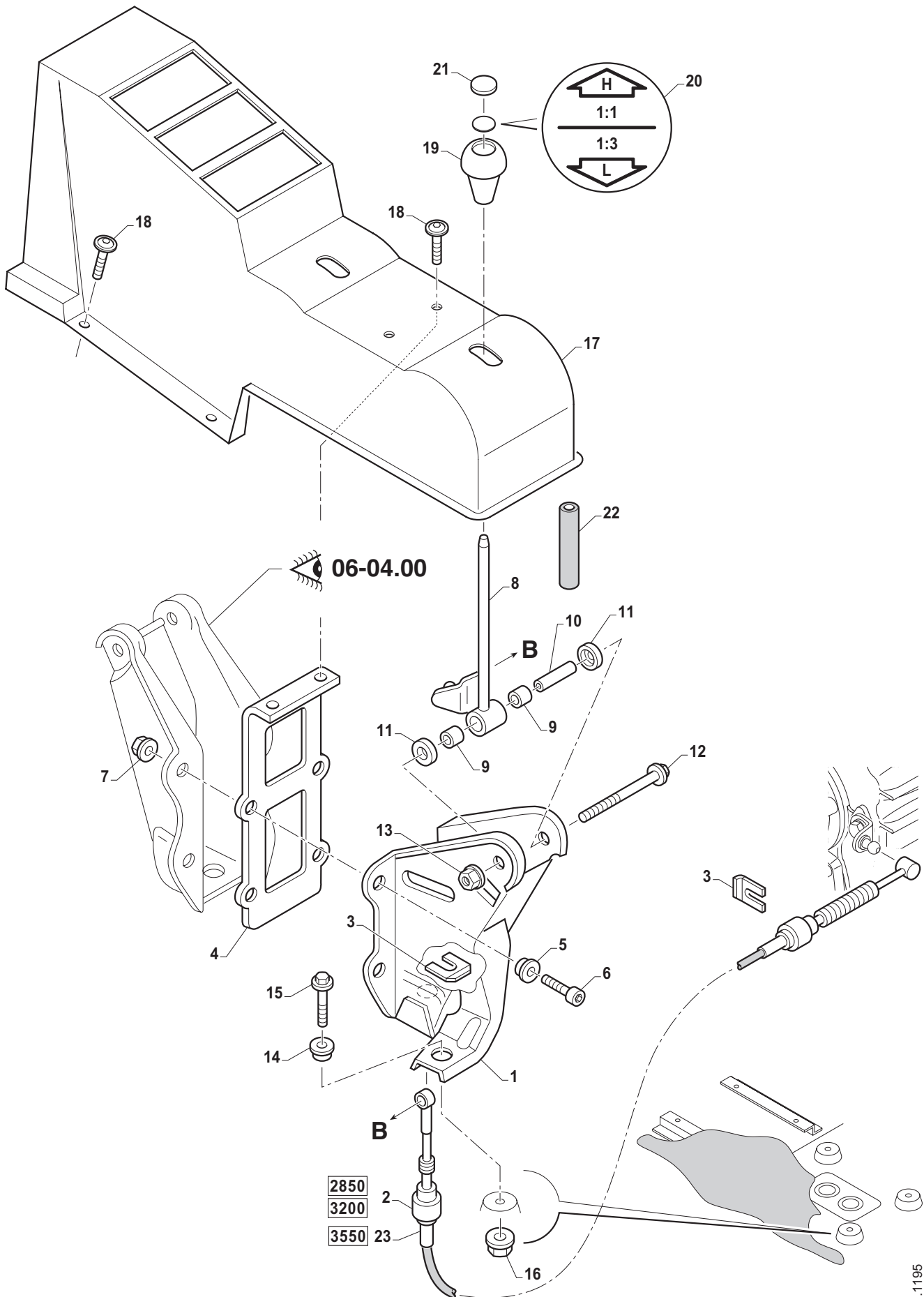
Item	Cod.	Q.tà	Denominazione	Designation	Description	Benennung	Descripción
1	30062014	1	Supporto	Support	Support	Halterung	Soporte
2	30063038	1	Cavo flessibile	Tirette command	Bowden assy.	Bowdenzug	Bowden
3	30064059	2	Molletta	Pince	Clip	Feder	Muelle
4	30064063	1	Supporto	Support	Support	Halterung	Soporte
5	30064030	4	Distanziale	Entretoise	Spacer	Distanzstueck	Separador
6	40040606	4	Vite	Vis	Screw	Schraube	Tornillo
7	30052230	4	Dado	Ecrou	Nut	Mutter	Tuerca
8	30064025	1	Leva	Levier	Lever	Hebel	Palanca
9	43511200	2	Astuccio a rullini	Boîtier à aiguilles	Needle casing	Nadelkäfig	Estuche de rodillos
10	30064057	1	Distanziale	Entretoise	Spacer	Distanzstueck	Separador
11	30064058	2	Scodellina	Godet	Cap	Bund	Tejuelo
12	40090620	1	Vite	Vis	Screw	Schraube	Tornillo
13	41480600	1	Dado	Ecrou	Nut	Mutter	Tuerca
14	30064029	2	Bussola	Douille	Bushing	Gewindebuechse	Casquillo
15	40081010	2	Vite	Vis	Screw	Schraube	Tornillo
16	41481000	2	Dado	Ecrou	Nut	Mutter	Tuerca
17	30062009	1	Consolle	Consolle	Consolle	Bediengeräet	Consola
18	40110808	6	Vite	Vis	Screw	Schraube	Tornillo
19	46056500	1	Pomolo	Knebelgriff	Bouton	Knob	Boton
20	30064067	1	Ideogramma	Idéogramme	Ideogram	Ideogramm	Ideograma
21	46066500	1	Oblò	Hublot	Window	Kontrollfenster	Portilla
22	46100012	-	Guaina	Enveloppe	Sheath	Kabel	

NOTE:



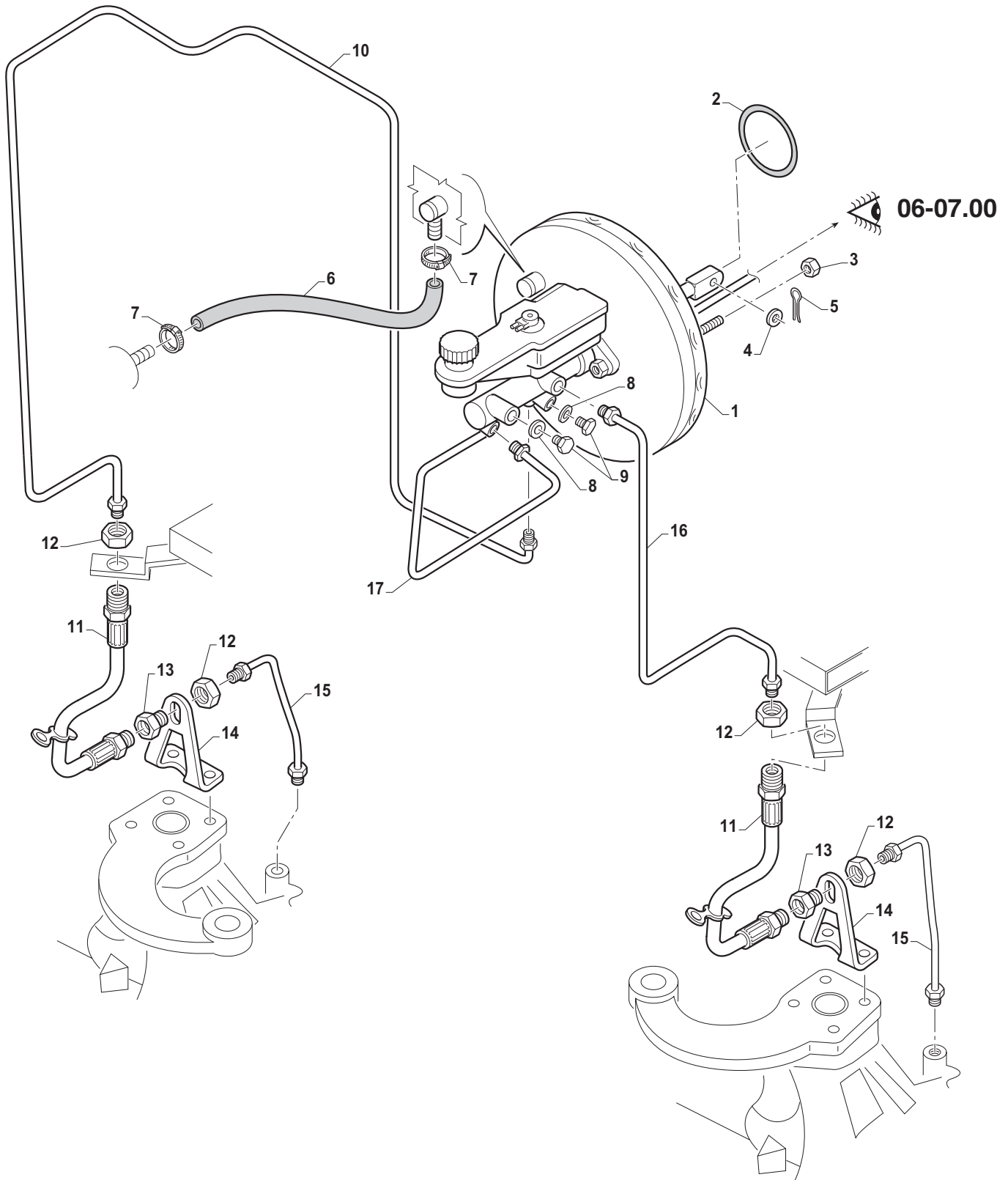
Item	Cod.	Q.tà	Denominazione	Designation	Description	Benennung	Descripción
1	30062014	1	Supporto	Support	Support	Halterung	Soporte
2	30063038	1	Cavo flessibile	Tirette command	Bowden assy.	Bowdenzug	Bowden
3	30064059	2	Molletta	Pince	Clip	Feder	Muelle
4	30064063	1	Supporto	Support	Support	Halterung	Soporte
5	30064030	4	Distanziale	Entretoise	Spacer	Distanzstueck	Separador
6	40040606	4	Vite	Vis	Screw	Schraube	Tornillo
7	30052230	4	Dado	Ecrou	Nut	Mutter	Tuerca
8	30064025	1	Leva	Levier	Lever	Hebel	Palanca
9	43511200	2	Astuccio a rullini	Boîtier à aiguilles	Needle casing	Nadelkäfig	Estuche de rodillos
10	30064057	1	Distanziale	Entretoise	Spacer	Distanzstueck	Separador
11	30064058	2	Scodellina	Godet	Cap	Bund	Tejuelo
12	40090620	1	Vite	Vis	Screw	Schraube	Tornillo
13	41480600	1	Dado	Ecrou	Nut	Mutter	Tuerca
14	30064029	2	Bussola	Douille	Bushing	Gewindebuechse	Casquillo
15	40081010	2	Vite	Vis	Screw	Schraube	Tornillo
16	41481000	2	Dado	Ecrou	Nut	Mutter	Tuerca
17	30062051	1	Consol	Console	Console	Bediengeräet	Consola
18	40110808	6	Vite	Vis	Screw	Schraube	Tornillo
19	46056500	1	Pomolo	Knebelgriff	Bouton	Knob	Boton
20	30064067	1	Ideogramma	Idéogramme	Ideogram	Ideogramm	Ideograma
21	46066500	1	Oblò	Hublot	Window	Kontrollfenster	Portilla
22	46100012	-	Guaina	Enveloppe	Sheath	Kabel	

NOTE:



Item	Cod.	Q.tà	Denominazione	Designation	Description	Benennung	Descripción
1	30062014	1	Supporto	Support	Support	Halterung	Soporte
2	30063038	1	Cavo flessibile	Tirette command	Bowden assy.	Bowdenzug	Bowden
3	30064059	2	Molletta	Pince	Clip	Feder	Muelle
4	30064063	1	Supporto	Support	Support	Halterung	Soporte
5	30064030	4	Distanziale	Entretoise	Spacer	Distanzstueck	Separador
6	40040606	4	Vite	Vis	Screw	Schraube	Tornillo
7	30052230	4	Dado	Ecrou	Nut	Mutter	Tuerca
8	30064025	1	Leva	Levier	Lever	Hebel	Palanca
9	43511200	2	Astuccio a rullini	Boîtier à aiguilles	Needle casing	Nadelkäfig	Estuche de rodillos
10	30064057	1	Distanziale	Entretoise	Spacer	Distanzstueck	Separador
11	30064058	2	Scodellina	Godet	Cap	Bund	Tejuelo
12	40090620	1	Vite	Vis	Screw	Schraube	Tornillo
13	41480600	1	Dado	Ecrou	Nut	Mutter	Tuerca
14	30064029	2	Bussola	Douille	Bushing	Gewindebuechse	Casquillo
15	40081010	2	Vite	Vis	Screw	Schraube	Tornillo
16	41481000	2	Dado	Ecrou	Nut	Mutter	Tuerca
17	30062052	1	Consolle	Consolle	Consolle	Bediengeräet	Consola
18	40110808	6	Vite	Vis	Screw	Schraube	Tornillo
19	46056500	1	Pomolo	Knebelgriff	Bouton	Knob	Boton
20	30064067	1	Ideogramma	Idéogramme	Ideogram	Ideogramm	Ideograma
21	46066500	1	Oblò	Hublot	Window	Kontrollfenster	Portilla
22	46100012	-	Guaina	Enveloppe	Sheath	Kabel	
23	30063072	1	Cavo flessibile	Tirette command	Bowden assy.	Bowdenzug	Bowden

NOTE:



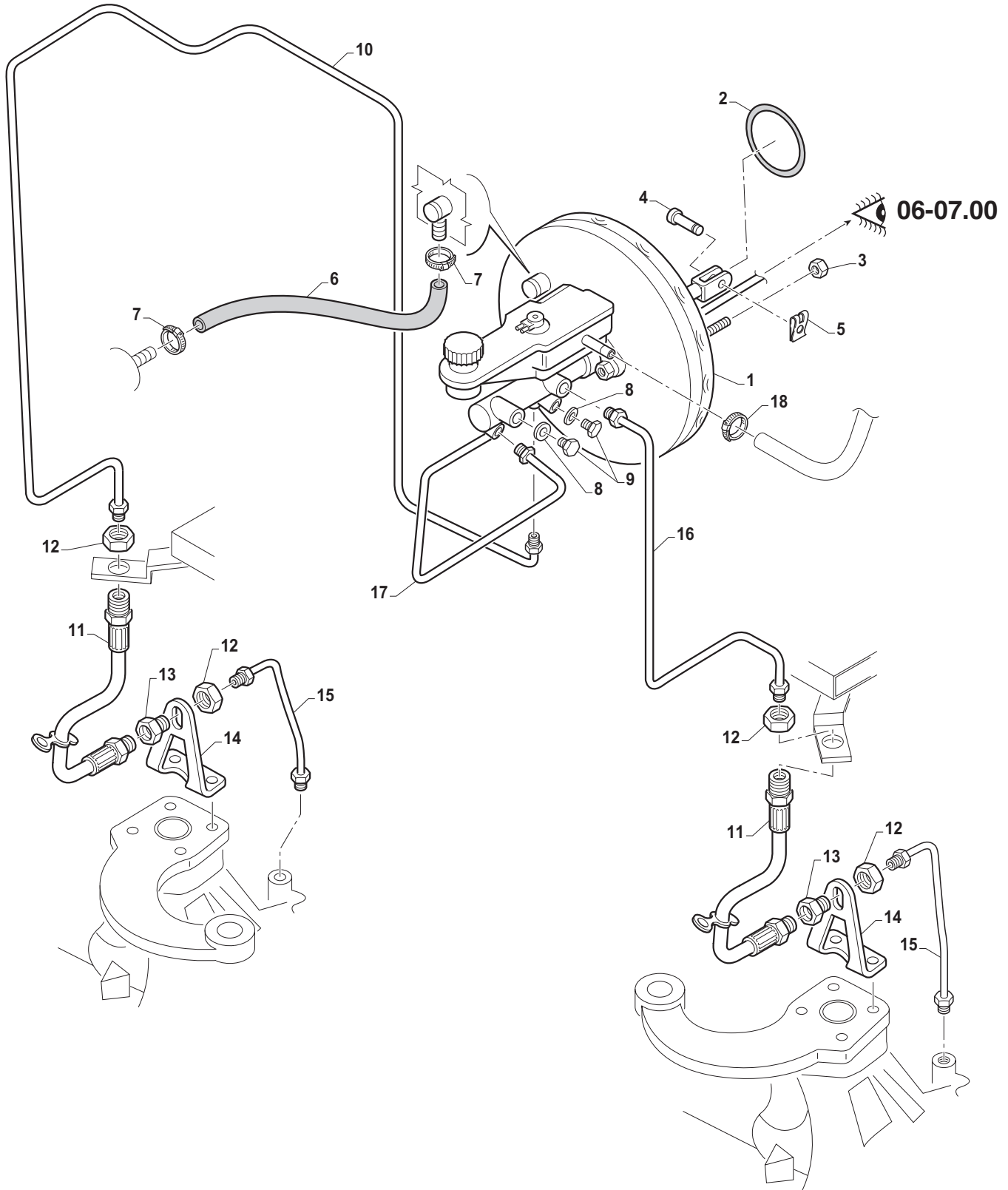
Item	Cod.	Q.tà	Denominazione	Designation	Description	Benennung	Descripción
1	30052152	1	Servofreno	Servo-frein	Power brake	Servobremse	Servofreno
2	30052202	1	Guarnizione	Joint	Gasket	Dichtung	Junta
3	30052289	4	Dado	Ecrou	Nut	Mutter	Tuerca
4	30052291	1	Rosetta	Rondelle frein	Lockwasher	Sicherungsring	Arendela
5	30052217	1	Copiglia	Coupille	Pin	Splint	Pasador abierto
6	90248004	-	Tubo	Tuyau	Hose	Rohr	Manga
7	30052227	2	Fascetta	Collier	Strap	Halteband	Abrazadera
8	45081000	2	Guarnizione	Joint	Gasket	Dichtung	Junta
9	45031000	2	Tappo	Bouchon	Plug	Stopfen	Tapon
10	30062001	1	Tubo	Tuyau	Hose	Rohr	Manga
11	30063036	2	Tubo flessibile	Tuyau	Flexible exhaust	Schlauch	Manga
12	41451600	4	Dado	Ecrou	Nut	Mutter	Tuerca
13	30064065	2	Raccordo	Raccord	Connection	Stutzen	Racor
14	30033004	2	Staffa	Etrier	Bracket	Halter	Soporte
15	30063047	2	Tubo	Tuyau	Hose	Rohr	Manga
16	30062002	1	Tubo	Tuyau	Hose	Rohr	Manga
17	30062003	1	Tubo	Tuyau	Hose	Rohr	Manga

NOTE:



Item	Cod.	Q.tà	Denominazione	Designation	Description	Benennung	Descripción
1	30052269	1	Servofreno	Servo-frein	Power brake	Servobremse	Servofreno
2	30052202	1	Guarnizione	Joint	Gasket	Dichtung	Junta
3	30052289	4	Dado	Ecrou	Nut	Mutter	Tuerca
4	30054062	1	Perno	Axe	Pin	Bolzen	Eje
5	30054063	1	Molletta	Pince	Clip	Feder	Muelle
6	30053086	1	Valvola	Suopape	Valve	Ventil	Valvula
7	90248004	-	Tubo	Tuyau	Hose	Rohr	Manga
8	30052227	2	Fascetta	Collier	Strap	Halteband	Abrazadera
9	45081000	2	Guarnizione	Joint	Gasket	Dichtung	Junta
10	45031000	2	Tappo	Bouchon	Plug	Stopfen	Tapon
11	30062001	1	Tubo	Tuyau	Hose	Rohr	Manga
12	30063036	2	Tubo flessibile	Tuyau	Flexible exhaust	Schlauch	Manga
13	41451600	4	Dado	Ecrou	Nut	Mutter	Tuerca
14	30064065	2	Raccordo	Raccord	Connection	Stutzen	Racor
15	30033004	2	Staffa	Etrier	Bracket	Halter	Soporte
16	30063047	2	Tubo	Tuyau	Hose	Rohr	Manga
17	30062002	1	Tubo	Tuyau	Hose	Rohr	Manga
18	30062003	1	Tubo	Tuyau	Hose	Rohr	Manga

NOTE:



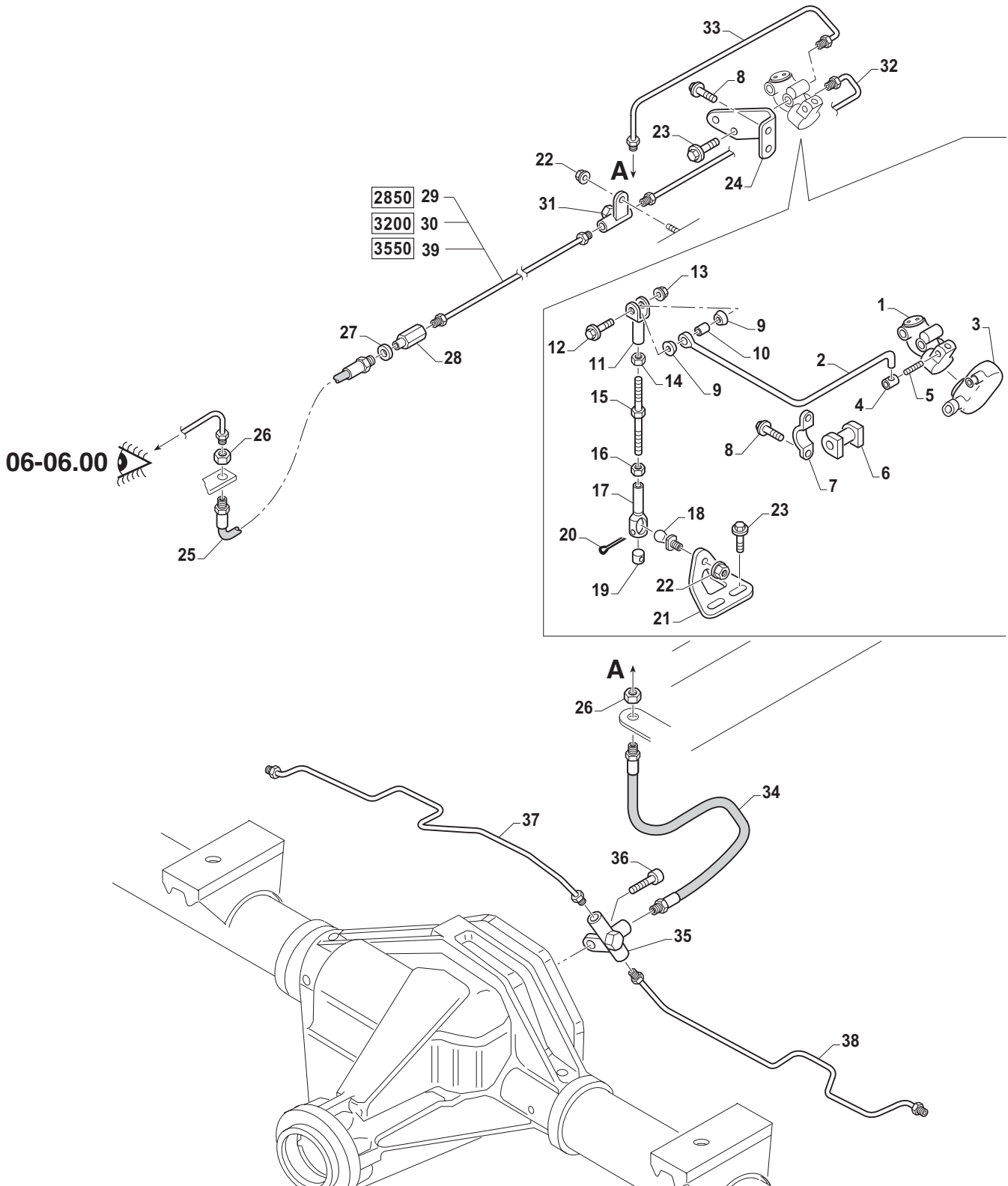
Item	Cod.	Q.tà	Denominazione	Designation	Description	Benennung	Descripción
1	30052411	1	Servofreno	Servo-frein	Power brake	Servobremse	Servofreno
2	30052202	1	Guarnizione	Joint	Gasket	Dichtung	Junta
3	30052289	4	Dado	Ecrou	Nut	Mutter	Tuerca
4	30054062	1	Perno	Axe	Pin	Bolzen	Eje
5	30054063	1	Molletta	Pince	Clip	Feder	Muelle
6	90248004	-	Tubo	Tuyau	Hose	Rohr	Manga
7	30052227	2	Fascetta	Collier	Strap	Halteband	Abrazadera
8	45081000	2	Guarnizione	Joint	Gasket	Dichtung	Junta
9	45031000	2	Tappo	Bouchon	Plug	Stopfen	Tapon
10	30062001	1	Tubo	Tuyau	Hose	Rohr	Manga
11	30063036	2	Tubo flessibile	Tuyau	Flexible exhaust	Schlauch	Manga
12	41451600	4	Dado	Ecrou	Nut	Mutter	Tuerca
13	30064065	2	Raccordo	Raccord	Connection	Stutzen	Racor
14	30033004	2	Staffa	Etrier	Bracket	Halter	Soporte
15	30063047	2	Tubo	Tuyau	Hose	Rohr	Manga
16	30062002	1	Tubo	Tuyau	Hose	Rohr	Manga
17	30062003	1	Tubo	Tuyau	Hose	Rohr	Manga
18	45450600	1	Fascetta	Collier	Strap	Halteband	Abrazadera

NOTE:



Item	Cod.	Q.tà	Denominazione	Designation	Description	Benennung	Descripción
1	30052451	1	Servofreno	Servo-frein	Power brake	Servobremse	Servofreno
2	30052202	1	Guarnizione	Joint	Gasket	Dichtung	Junta
3	30052289	4	Dado	Ecrou	Nut	Mutter	Tuerca
4	30054062	1	Perno	Axe	Pin	Bolzen	Eje
5	30054063	1	Molletta	Pince	Clip	Feder	Muelle
6	90248004	-	Tubo	Tuyau	Hose	Rohr	Manga
7	30052227	2/3	Fascetta	Collier	Strap	Halteband	Abrazadera
8	45081000	2	Guarnizione	Joint	Gasket	Dichtung	Junta
9	45031000	2	Tappo	Bouchon	Plug	Stopfen	Tapon
10	30062001	1	Tubo	Tuyau	Hose	Rohr	Manga
11	30063036	2	Tubo flessibile	Tuyau	Flexible exhaust	Schlauch	Manga
12	41451600	4	Dado	Ecrou	Nut	Mutter	Tuerca
13	30064065	2	Raccordo	Raccord	Connection	Stutzen	Racor
14	30033004	2	Staffa	Etrier	Bracket	Halter	Soporte
15	30063047	2	Tubo	Tuyau	Hose	Rohr	Manga
16	30062002	1	Tubo	Tuyau	Hose	Rohr	Manga
17	30062003	1	Tubo	Tuyau	Hose	Rohr	Manga
18	45450600	1	Fascetta	Collier	Strap	Halteband	Abrazadera
19	30052417	-	Vaschetta	Cuve	Pan	Gefass	Cuba
20	30052411	-	Pompa freni	Olpompe	Oil Pump	Pompe a Huile	Bomba de freno
21	30013048	-	Valvola	Suopape	Valve	Ventil	Valvula

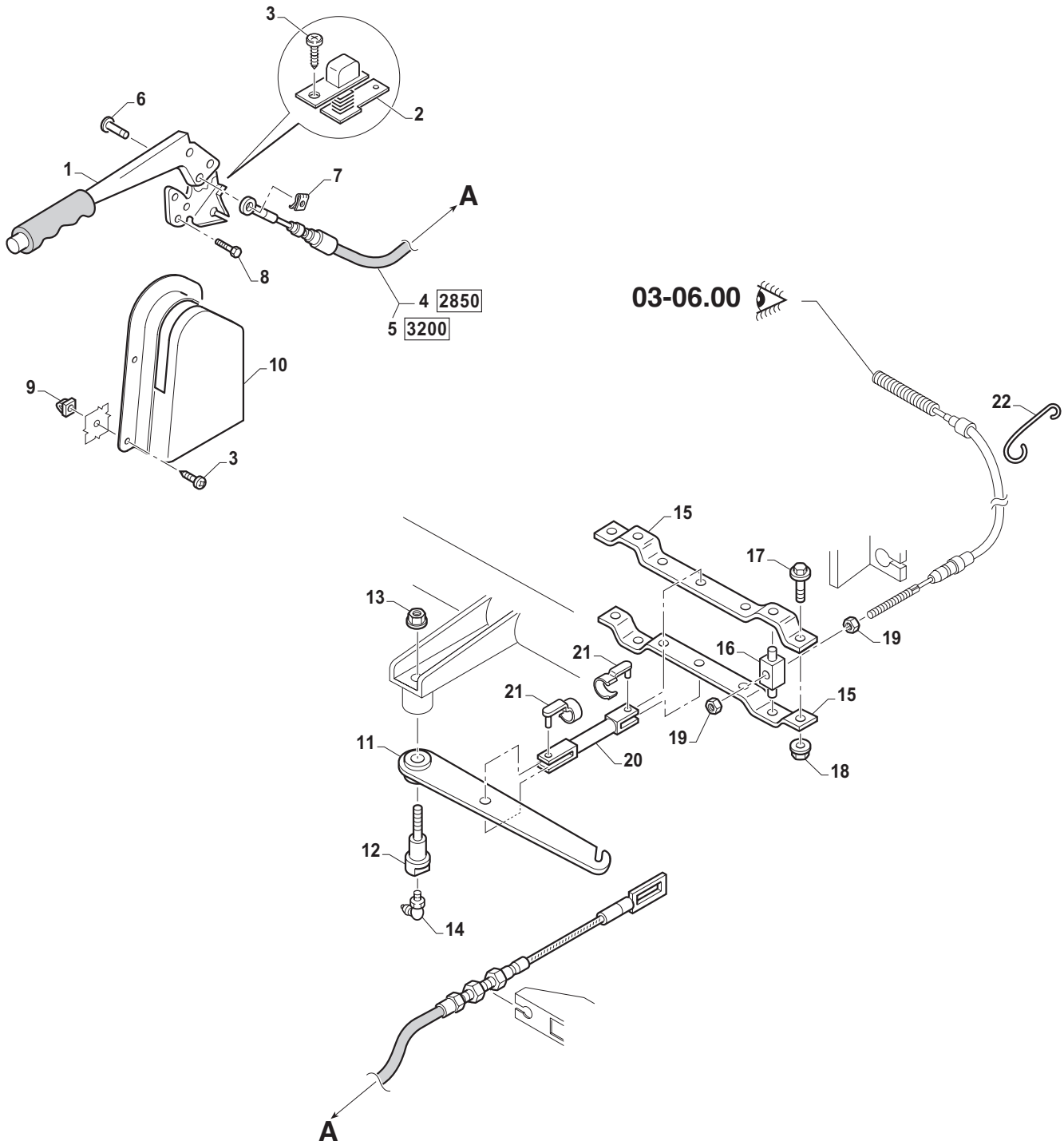
NOTE:



06-06.00

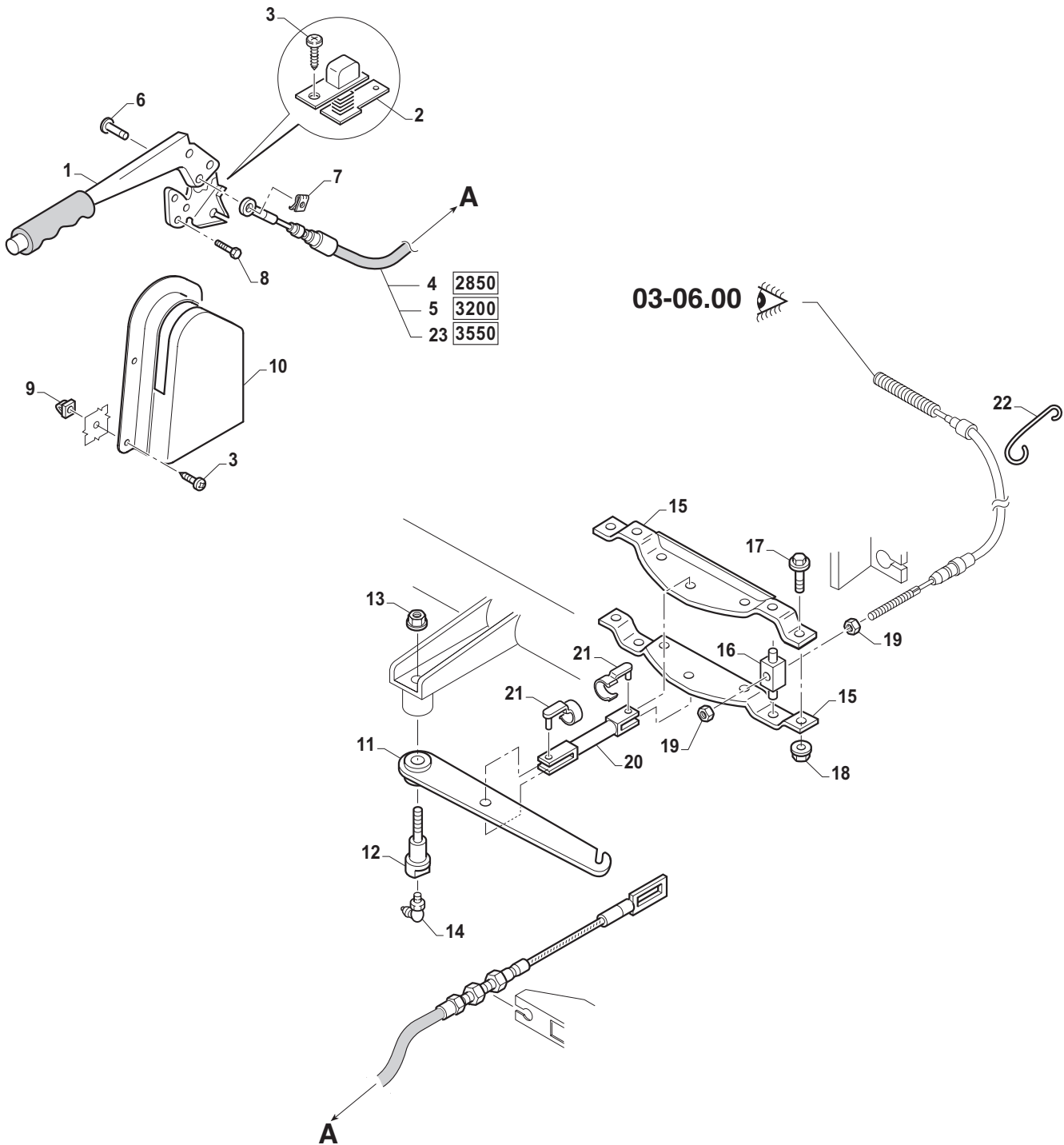
Item	Cod.	Q.tà	Denominazione	Designation	Description	Benennung	Descripción
1	30062013	1	Correttore	Correcteur	Corrector	Versteller	Corrector
2	30062012	1	Asta	Tige	Rod	Stange	Varilla
3	30063032	1	Cuffia	Capuchon	Boot	Manschette	Capuchon
4	30064052	1	Bussola	Douille	Bushing	Gewindebuechse	Casquillo
5	40120506	1	Grano	Ergot	Dowel	Passtift	Piton
6	30064056	1	Gommino	Cadutchouc	Seal	Gummi	Revestimiento de goma
7	30044021	1	Cavallotto	Arretoir	Retainer	Klemmstueck	Sujetador
8	40081010	4	Vite	Vis	Screw	Schraube	Tornillo
9	30064054	2	Boccola	Douille	Bushing	Buchse	Casquillo
10	30064049	1	Distanziale	Entretoise	Spacer	Distanzstueck	Separador
11	30064051	1	Forcella	Fourchette	Fork	Gabel	Horquilla
12	40090612	1	Vite	Vis	Screw	Schraube	Tornillo
13	41480600	1	Dado	Ecrou	Nut	Mutter	Tuerca
14	41420805	1	Dado SX	Ecrou G	Nut LH	Mutter LKS	Tuerca IZQ
15	30064050	1	Tirante	Tirant	Link	Zugstange	Tirante
16	41420800	1	Dado DX	Ecrou D	Nut RH	Mutter RTS	Tuerca DCHA
17	30063034	1	Sede	Siege	Seat	Sitz	Asiento
18	30064055	1	Perno	Axe	Pin	Bolzen	Eje
19	30064053	1	Tappo filettato	Bouchon	Plug	Stopfen	Tapon
20	42990336	1	Copiglia	Coupille	Pin	Splint	Pasador abierto
21	30064000	1	Staffa	Etrier	Bracket	Halter	Soporte
22	41480800	1	Dado	Ecrou	Nut	Mutter	Tuerca
23	40090806	4	Vite	Vis	Screw	Schraube	Tornillo
24	30043070	1	Staffa	Etrier	Bracket	Halter	Soporte
25	30063037	1	Tubo flessibile	Tuyau	Flexible exhaust	Schlauch	Manga
26	41451600	2	Dado	Ecrou	Nut	Mutter	Tuerca
27	45081000	1	Guarnizione	Joint	Gasket	Dichtung	Junta
28	30064064	1	Raccordo	Raccord	Connection	Stutzen	Racor
29	30063012	1	Tubo	Tuyau	Hose	Rohr	Manga
30	30063050	1	Tubo	Tuyau	Hose	Rohr	Manga
31	30063033	1	Raccordo	Raccord	Connection	Stutzen	Racor
32	30062004	1	Tubo	Tuyau	Hose	Rohr	Manga
33	30062005	1	Tubo	Tuyau	Hose	Rohr	Manga
34	30063036	1	Tubo flessibile	Tuyau	Flexible exhaust	Schlauch	Manga
35	30063035	1	Raccordo	Raccord	Connection	Stutzen	Racor
36	40040810	1	Vite	Vis	Screw	Schraube	Tornillo
37	30062006	1	Tubo	Tuyau	Hose	Rohr	Manga
38	30062007	1	Tubo	Tuyau	Hose	Rohr	Manga
39	30063071	1	Tubo	Tuyau	Hose	Rohr	Manga

NOTE:



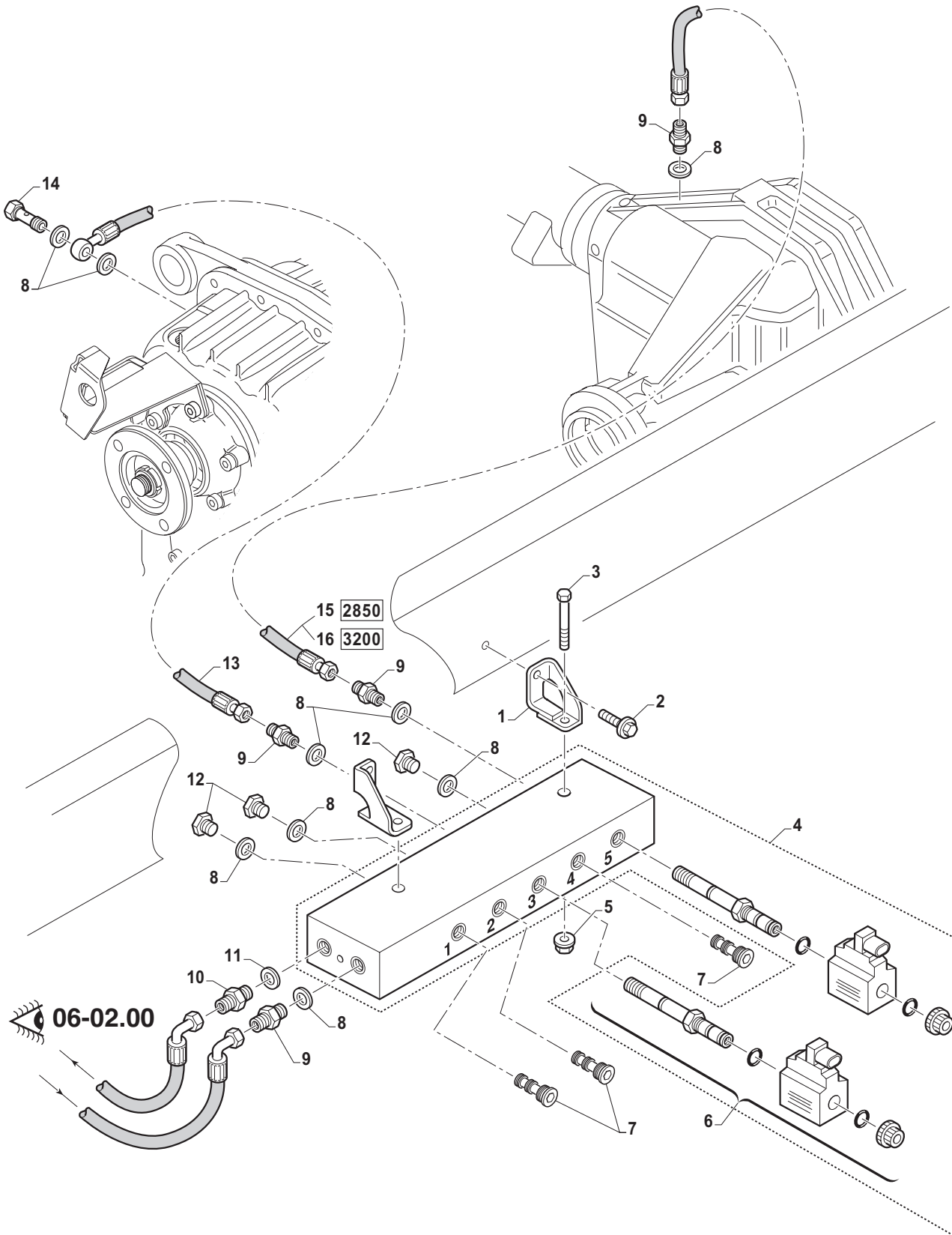
Item	Cod.	Q.tà	Denominazione	Designation	Description	Benennung	Descripción
1	30052047	1	Leva	Levier	Lever	Hebel	Palanca
2	30052205	1	Interruttore	Interrupteur	Switch	Schalter	Interruptor
3	30052241	6	Vite	Vis	Screw	Schraube	Tornillo
4	30063043	1	Cavo	Cable	Cable	Leitung	Cable
5	30063049	1	Cavo	Cable	Cable	Leitung	Cable
6	30052209	1	Perno	Axe	Pin	Bolzen	Eje
7	30052218	1	Fermaglio	Agrafe	Clip	Klemmstueck	Sujetador
8	30052240	3	Vite	Vis	Screw	Schraube	Tornillo
9	30052233	5	Tassello	Tampon	Pad	Einsatz	Taco
10	30052049	1	Copertura	Couverture	Cover	Deck el	Cobertura
11	30064018	1	Leva	Levier	Lever	Hebel	Palanca
12	30064016	1	Perno	Axe	Pin	Bolzen	Eje
13	41481200	1	Dado	Ecrou	Nut	Mutter	Tuerca
14	45060690	1	Ingrassatore	Graisneur	Fitting	Schmiernippel	Engrasador
15	30063006	2	Mezza leva	Mi-levier	Half-lever	Halber Hebel	Media palanca
16	30064015	2	Piolo	Picot	Pin	Stift	Espiga
17	40090808	4	Vite	Vis	Screw	Schraube	Tornillo
18	41480800	4	Dado	Ecrou	Nut	Mutter	Tuerca
19	41420800	4	Dado	Ecrou	Nut	Mutter	Tuerca
20	30064019	1	Tirante	Tirant	Link	Zugstange	Tirante
21	45501046	2	Clips	Clips	Clips	Clips	Clips
22	30064087	2	Molletta	Pince	Clip	Feder	Muelle

NOTE:



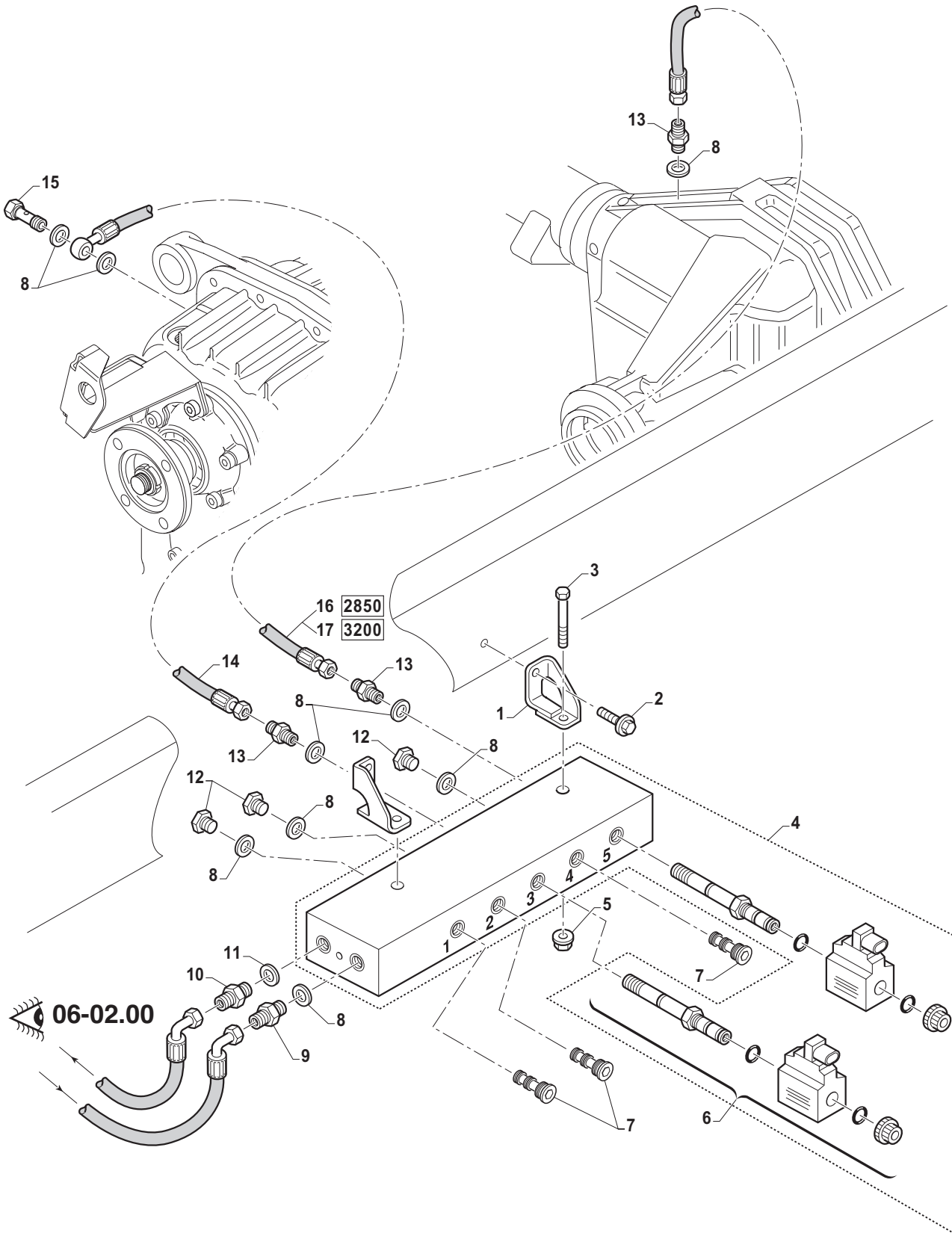
Item	Cod.	Q.tà	Denominazione	Designation	Description	Benennung	Descripción
1	30052047	1	Leva	Levier	Lever	Hebel	Palanca
2	30052205	1	Interruttore	Interrupteur	Switch	Schalter	Interruptor
3	30052241	6	Vite	Vis	Screw	Schraube	Tornillo
4	30063043	1	Cavo	Cable	Cable	Leitung	Cable
5	30063049	1	Cavo	Cable	Cable	Leitung	Cable
6	30052209	1	Perno	Axe	Pin	Bolzen	Eje
7	30052218	1	Fermaglio	Agrafe	Clip	Klemmstueck	Sujetador
8	30052240	3	Vite	Vis	Screw	Schraube	Tornillo
9	30052233	5	Tassello	Tampon	Pad	Einsatz	Taco
10	30052049	1	Copertura	Couverture	Cover	Deck el	Cobertura
11	30064018	1	Leva	Levier	Lever	Hebel	Palanca
12	30064016	1	Perno	Axe	Pin	Bolzen	Eje
13	41481200	1	Dado	Ecrou	Nut	Mutter	Tuerca
14	45060690	1	Ingrassatore	Graisiseur	Fitting	Schmiernippel	Engrasador
15	30063091	2	Mezza leva	Mi-levier	Half-lever	Halber Hebel	Media palanca
16	30064015	2	Piolo	Picot	Pin	Stift	Espiga
17	40090808	4	Vite	Vis	Screw	Schraube	Tornillo
18	41480800	4	Dado	Ecrou	Nut	Mutter	Tuerca
19	41420800	4	Dado	Ecrou	Nut	Mutter	Tuerca
20	30064019	1	Tirante	Tirant	Link	Zugstange	Tirante
21	45501046	2	Clips	Clips	Clips	Clips	Clips
22	30064087	2	Molletta	Pince	Clip	Feder	Muelle
23	30063065	1	Cavo	Cable	Cable	Leitung	Cable

NOTE:



Item	Cod.	Q.tà	Denominazione	Designation	Description	Benennung	Descripción
1	30044008	2	Staffa	Etrier	Bracket	Halter	Soporte
2	40081010	2	Vite	Vis	Screw	Schraube	Tornillo
3	40001024	2	Vite	Vis	Screw	Schraube	Tornillo
4	30062000	1	Blocco elettrovalvole	Bloc electrovalves	Block solenoid valves	Sperre magnetventile	Bloqueo electroválvulas
5	41481000	2	Dado	Ecrou	Nut	Mutter	Tuerca
6	30063010	-	Elettrovalvola	Soupape-electr.	Solenoid valve	Magnetventil	Electrovalvula
7	30064020	3	Tappo	Bouchon	Plug	Stopfen	Tapon
8	45081200	9	Guarnizione	Joint	Gasket	Dichtung	Junta
9	45101212	4	Nipplo	Racord	Connection	Stutzen	Nipplo
10	45101616	1	Nipplo	Racord	Connection	Stutzen	Nipplo
11	45081600	1	Guarnizione	Joint	Gasket	Dichtung	Junta
12	45031200	3	Tappo	Bouchon	Plug	Stopfen	Tapon
13	30063021	1	Tubo	Tuyau	Hose	Rohr	Manga
14	45141200	1	Vite cava	Vis	Screw	Schraube	Tornillo
15	30063022	1	Tubo	Tuyau	Hose	Rohr	Manga
16	30063051	1	Tubo	Tuyau	Hose	Rohr	Manga

NOTE:



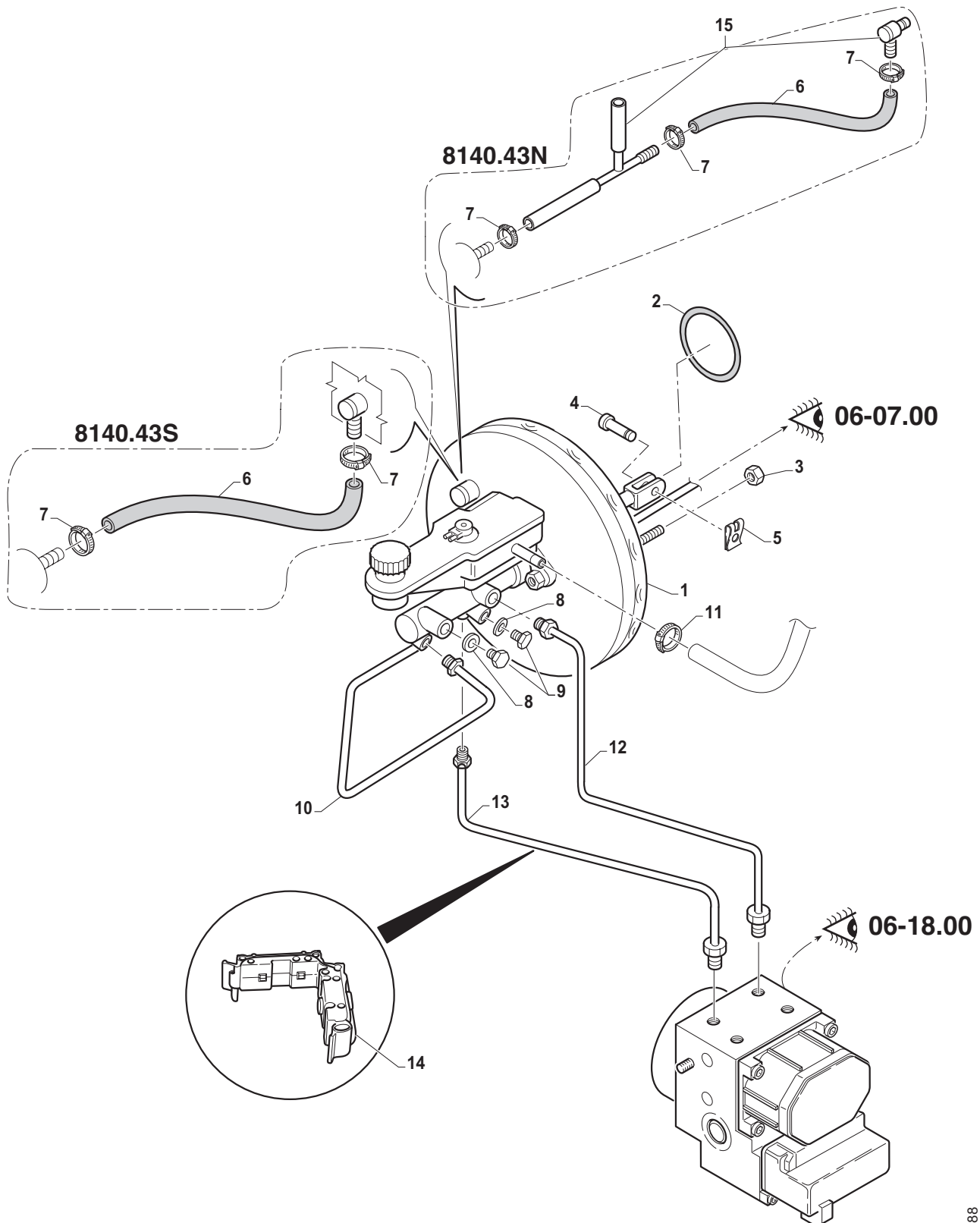
Item	Cod.	Q.tà	Denominazione	Designation	Description	Benennung	Descripción
1	30044008	2	Staffa	Etrier	Bracket	Halter	Soporte
2	40081010	2	Vite	Vis	Screw	Schraube	Tornillo
3	40001024	2	Vite	Vis	Screw	Schraube	Tornillo
4	30062000	1	Blocco elettrovalvole	Bloc electrovalves	Block solenoid valves	Sperre magnetventile	Bloqueo electroválvulas
5	41481000	2	Dado	Ecrou	Nut	Mutter	Tuerca
6	30063010	-	Elettrovalvola	Soupape-electr.	Solenoid valve	Magnetventil	Electrovalvula
7	30064020	3	Tappo	Bouchon	Plug	Stopfen	Tapon
8	45081200	6	Guarnizione	Joint	Gasket	Dichtung	Junta
9	45160412	1	Nipplo	Racord	Connection	Stutzen	Nipplo
10	45101616	1	Nipplo	Racord	Connection	Stutzen	Nipplo
11	45081600	1	Guarnizione	Joint	Gasket	Dichtung	Junta
12	45031200	3	Tappo	Bouchon	Plug	Stopfen	Tapon
13	45101212	3	Nipplo	Racord	Connection	Stutzen	Nipplo
14	30063021	1	Tubo	Tuyau	Hose	Rohr	Manga
15	45141200	1	Vite cava	Vis	Screw	Schraube	Tornillo
16	30063022	1	Tubo	Tuyau	Hose	Rohr	Manga
17	30063051	1	Tubo	Tuyau	Hose	Rohr	Manga

NOTE:



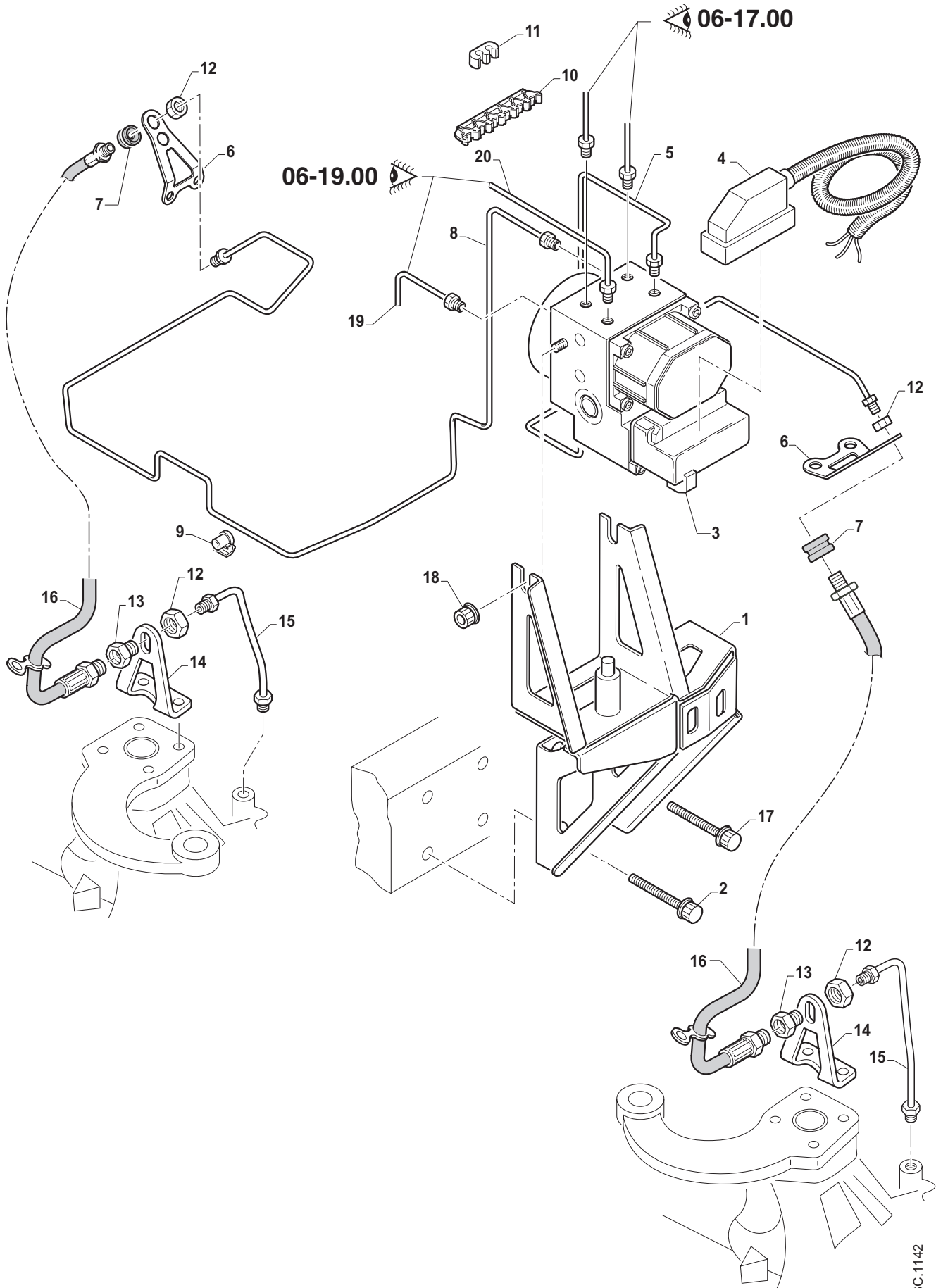
Item	Cod.	Q.tà	Denominazione	Designation	Description	Benennung	Descripción
1	30044008	2	Staffa	Etrier	Bracket	Halter	Soporte
2	40081010	2	Vite	Vis	Screw	Schraube	Tornillo
3	40001024	2	Vite	Vis	Screw	Schraube	Tornillo
4	30062061	1	Blocco elettrovalvole	Bloc electrovalves	Block solenoid valves	Sperre magnetventile	Bloqueo electroválvulas
5	41481000	2	Dado	Ecrou	Nut	Mutter	Tuerca
6	30063010	-	Elettrovalvola	Soupape-electr.	Solenoid valve	Magnetventil	Electrovalvula
7	30064020	3	Tappo	Bouchon	Plug	Stopfen	Tapon
8	45081200	7	Guarnizione	Joint	Gasket	Dichtung	Junta
9	45110404	1	Nipplo	Racord	Connection	Stutzen	Nipplo
10	45101616	1	Nipplo	Racord	Connection	Stutzen	Nipplo
11	45081600	1	Guarnizione	Joint	Gasket	Dichtung	Junta
12	45031200	5	Tappo	Bouchon	Plug	Stopfen	Tapon
13	45101212	3	Nipplo	Racord	Connection	Stutzen	Nipplo
14	30063021	1	Tubo	Tuyau	Hose	Rohr	Manga
15	45141200	1	Vite cava	Vis	Screw	Schraube	Tornillo
16	30063022	1	Tubo passo 2850	Tuyau	Hose	Rohr	Manga
17	30063051	1	Tubo	Tuyau	Hose	Rohr	Manga
18	30063066	1	Tubo	Tuyau	Hose	Rohr	Manga
19	30063068	1	Tubo	Tuyau	Hose	Rohr	Manga
20	45090400	1	Guarnizione	Joint	Gasket	Dichtung	Junta
21	45160412	1	Nipplo	Racord	Connection	Stutzen	Nipplo
22	30063016	1	Tubo	Tuyau	Hose	Rohr	Manga

NOTE:



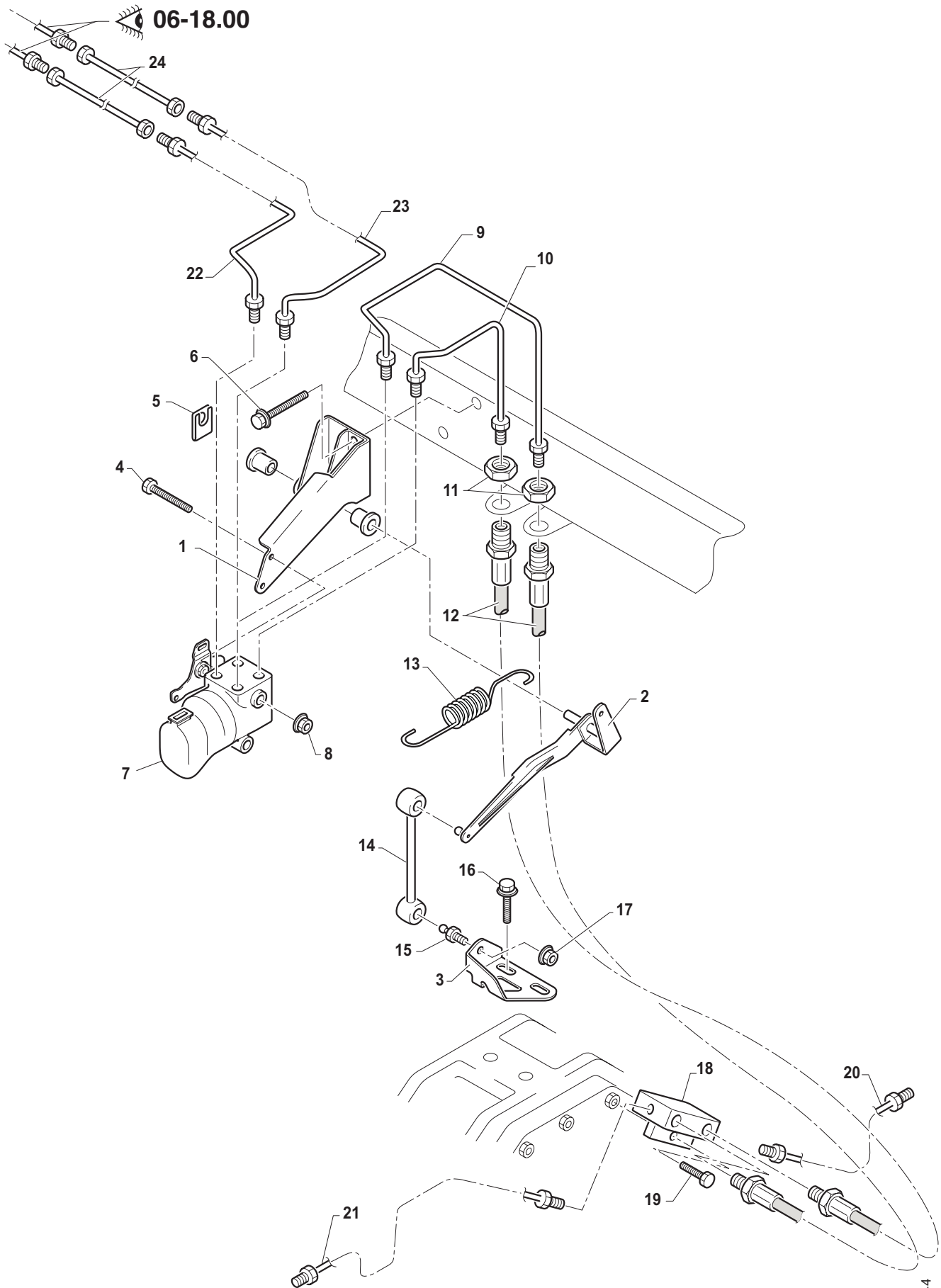
Item	Cod.	Q.tà	Denominazione	Designation	Description	Benennung	Descripción
1	30052411	1	Servofreno	Servo-frein	Power brake	Servobremse	Servofreno
2	30052202	1	Guarnizione	Joint	Gasket	Dichtung	Junta
3	30052289	4	Dado	Ecrou	Nut	Mutter	Tuerca
4	30054062	1	Perno	Axe	Pin	Bolzen	Eje
5	30054063	1	Molletta	Pince	Clip	Feder	Muelle
6	90248004	-	Tubo	Tuyau	Hose	Rohr	Manga
7	30052227	2/3	Fascetta	Collier	Strap	Halteband	Abrazadera
8	45081000	2	Guarnizione	Joint	Gasket	Dichtung	Junta
9	45031000	2	Tappo	Bouchon	Plug	Stopfen	Tapon
10	30062003	1	Tubo	Tuyau	Hose	Rohr	Manga
11	45450600	1	Fascetta	Collier	Strap	Halteband	Abrazadera
12	30061001	1	Tubo	Tuyau	Hose	Rohr	Manga
13	30061002	1	Tubo	Tuyau	Hose	Rohr	Manga
14	30054110	1	Molletta	Pince	Clip	Feder	Muelle
15	30013048	1	Valvola	Suopape	Valve	Ventil	Valvula

NOTE:



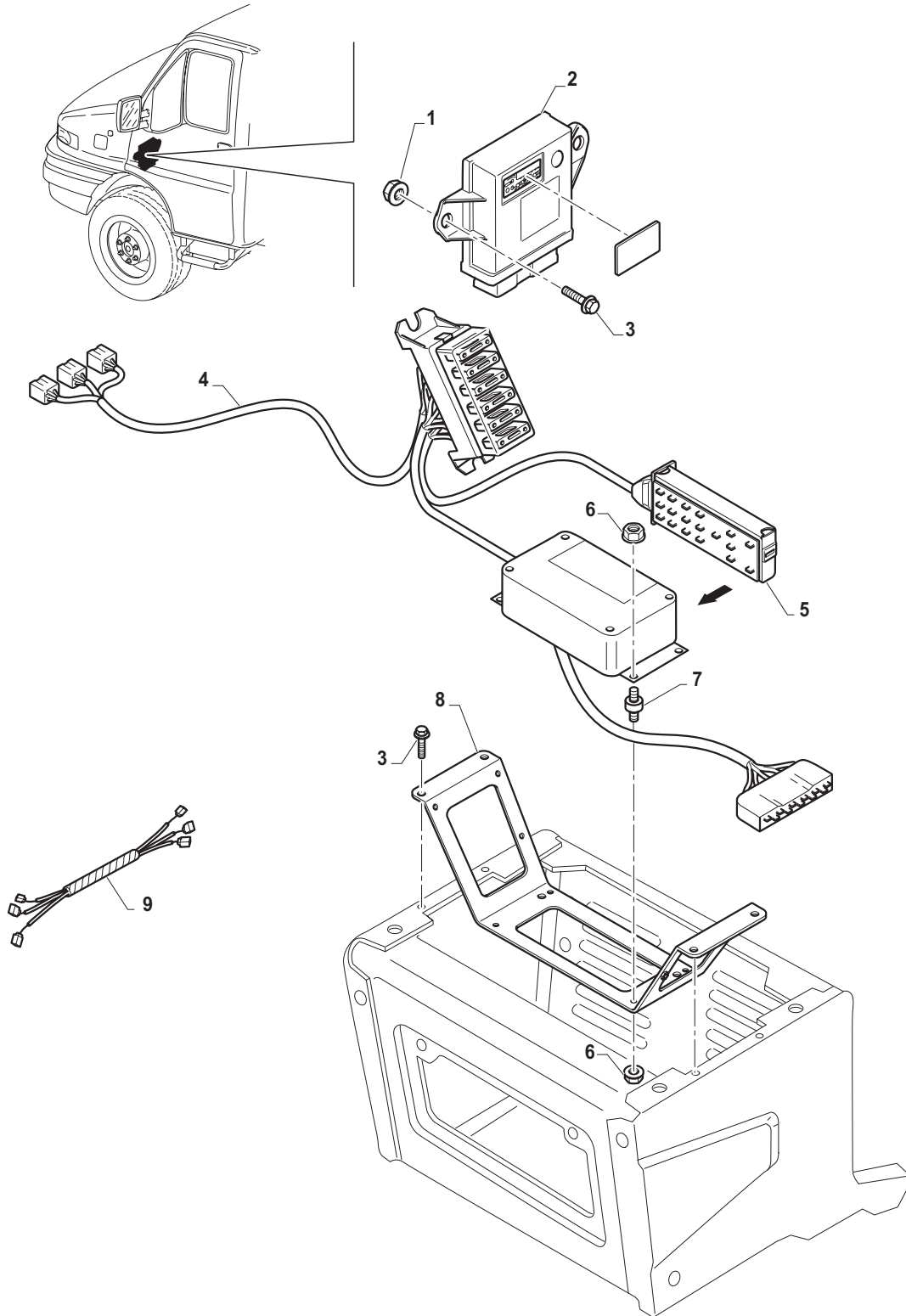
Item	Cod.	Q.tà	Denominazione	Designation	Description	Benennung	Descripción
1	30042045	1	Supporto	Support	Support	Halterung	Soporte
2	40081010	3	Vite	Vis	Screw	Schraube	Tornillo
3	30062048	1	Centralina ABS	Dispos.hydraul. ABS	Hydraul.attach. ABS	Hydr.einheit ABS	Controller ABS
4	30063095	1	Cablaggio				
5	30061004	1	Tubo	Tuyau	Hose	Rohr	Manga
6	30043118	2	Staffa	Etrier	Bracket	Halter	Soporte
7	30034007	2	Gommino	Cadutchouc	Seal	Gummi	Revestimiento de goma
8	30061003	1	Tubo	Tuyau	Hose	Rohr	Manga
9	30034006	2	Fermatubo				
10	30044063	2	Molletta	Pince	Clip	Feder	Muelle
11	30064064	10	Molletta	Pince	Clip	Feder	Muelle
12	41451600	4	Dado	Ecrou	Nut	Mutter	Tuerca
13	30064065	2	Raccordo	Raccord	Connection	Stutzen	Racor
14	30033004	2	Staffa	Etrier	Bracket	Halter	Soporte
15	30063047	2	Tubo	Tuyau	Hose	Rohr	Manga
16	30063036	2	Tubo	Tuyau	Hose	Rohr	Manga
17	40091012	1	Vite	Vis	Screw	Schraube	Tornillo
18	41480800	2	Dado	Ecrou	Nut	Mutter	Tuerca
19	30061005	1	Tubo	Tuyau	Hose	Rohr	Manga
20	30061007	1	Tubo	Tuyau	Hose	Rohr	Manga

NOTE:



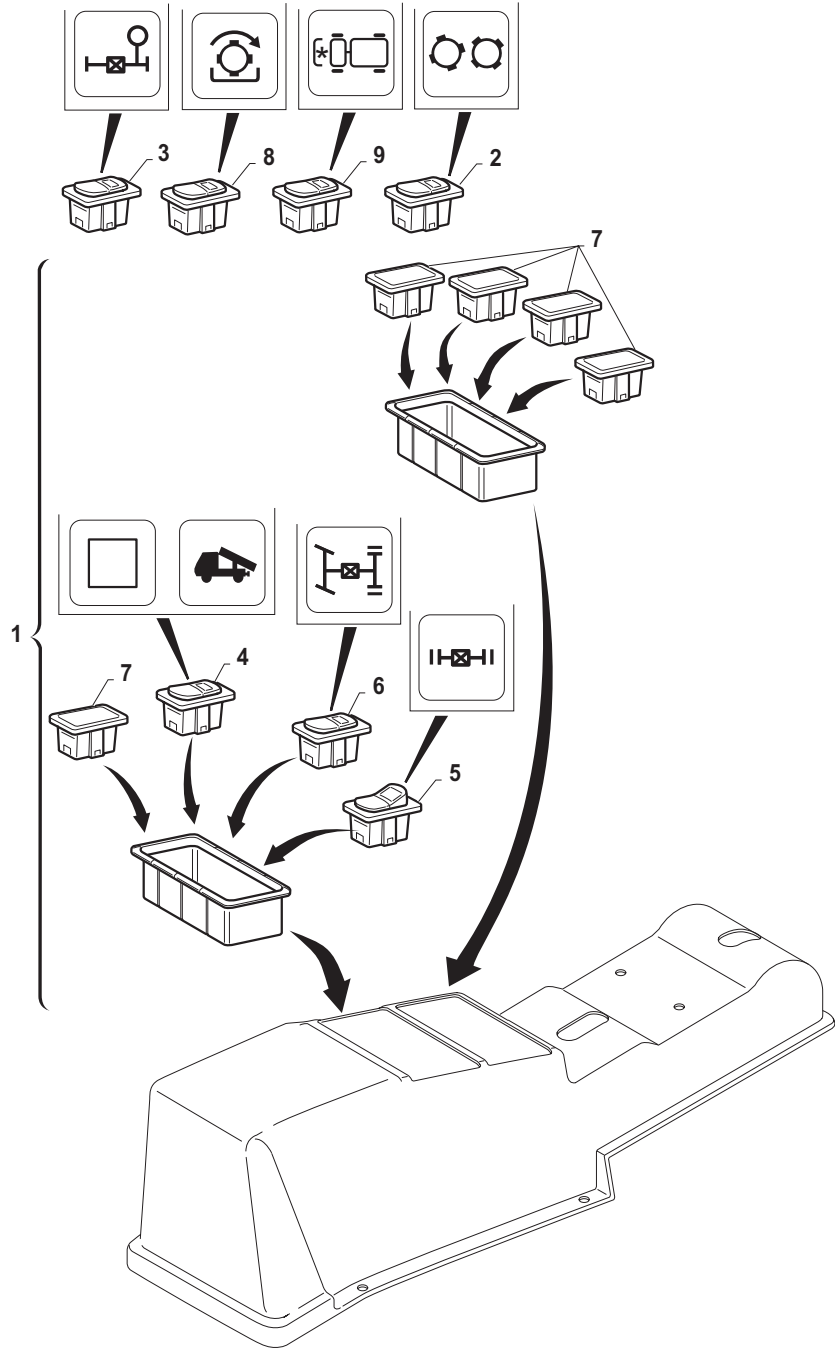
Item	Cod.	Q.tà	Denominazione	Designation	Description	Benennung	Descripción
1	30043116	1	Staffa	Etrier	Bracket	Halter	Soporte
2	30063086	1	Leva	Levier	Lever	Hebel	Palanca
3	30063076	1	Squadretta	Equerre	Bracket	Halter	Apoyo
4	40000628	2	Vite	Vis	Screw	Schraube	Tornillo
5	30064109	1	Molletta	Pince	Clip	Feder	Muelle
6	40081010	2	Vite	Vis	Screw	Schraube	Tornillo
7	30062047	1	Ripartitore		Distribution frame		
8	41480600	3	Dado	Ecrou	Nut	Mutter	Tuerca
9	30062038	1	Tubo	Tuyau	Hose	Rohr	Manga
10	30062039	1	Tubo	Tuyau	Hose	Rohr	Manga
11	41451600	2	Dado	Ecrou	Nut	Mutter	Tuerca
12	30063036	2	Tubo	Tuyau	Hose	Rohr	Manga
13	30063089	1	Molla	Ressort	Spring	Feder	Resorte
14	30063090	1	Rinvio		Trasmission		
15	30064108	1	Nipplo	Racord	Connection	Stutzen	Nipplo
16	40090806	2	Vite	Vis	Screw	Schraube	Tornillo
17	30063076	1	Dado	Ecrou	Nut	Mutter	Tuerca
18	30063087	1	Blocchetto	Taquet de fixat	Pad	Spannstueck	Bloquete
19	40040810	1	Vite	Vis	Screw	Schraube	Tornillo
20	30062006	1	Tubo	Tuyau	Hose	Rohr	Manga
21	30063036	1	Tubo	Tuyau	Hose	Rohr	Manga
22	30061006	1	Tubo	Tuyau	Hose	Rohr	Manga
23	30061008	1	Tubo	Tuyau	Hose	Rohr	Manga
24	30063075	2	Prolunga	Prolonge	Extention	Verlaengerung	Prolongacion

NOTE:



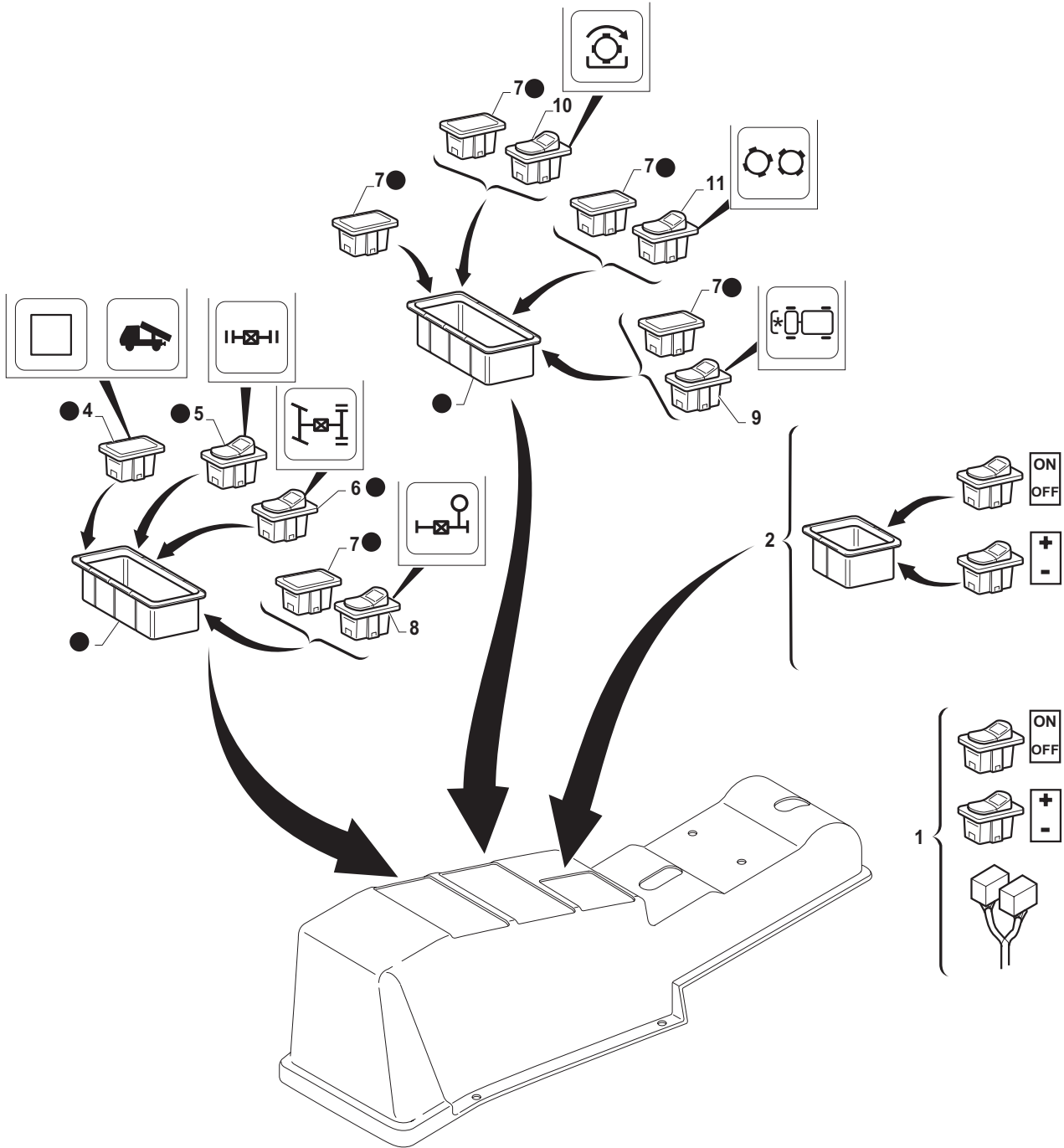
Item	Cod.	Q.tà	Denominazione	Designation	Description	Benennung	Descripción
1	41600600	2	Dado M6	Ecrou M6	Nut M6	Mutter M6	Tuerca M6
2	30053058	1	Adattatore				
3	40100608	6	Vite M6	Vis M6	Screw M6	Schraube M6	Tornillo M6
4	30062019	1	Cablaggio				
5	30062024	1	Contenitore diodi				
6	41420400	8	Dado M4	Ecrou M4	Nut M4	Mutter M4	Tuerca M4
7	30054036	4	Antivibrante	Antivibrateur	Vibration damp.	Vibrat.daempfer	Antivibrador
8	30053062	1	Mensola	Console	Reinforcement	Verstaerkung	Refuerzo
9	30062020	1	Prolunga	Prolonge	Extention	Verlaengerung	

NOTE:



Item	Cod.	Q.tà	Denominazione	Designation	Description	Benennung	Descripción
1	60062001	1	Kit interruttori				
2	30064080	1	Interruttore	Interrupteur	Switch	Schalter	Interruptor
3	30064078	1	Interruttore	Interrupteur	Switch	Schalter	Interruptor
4	30064082	1	Spia	Temoin	Warn.light	Leuchtanzeige	Interruptor
5	30064077	1	Interruttore	Interrupteur	Switch	Schalter	Interruptor
6	30064076	1	Interruttore	Interrupteur	Switch	Schalter	Interruptor
7	30064075	5	Tappo	Bouchon	Plug	Stopfen	Tapon
8	30064079	1	Interruttore	Interrupteur	Switch	Schalter	Interruptor
9	30064081	1	Interruttore	Interrupteur	Switch	Schalter	Interruptor

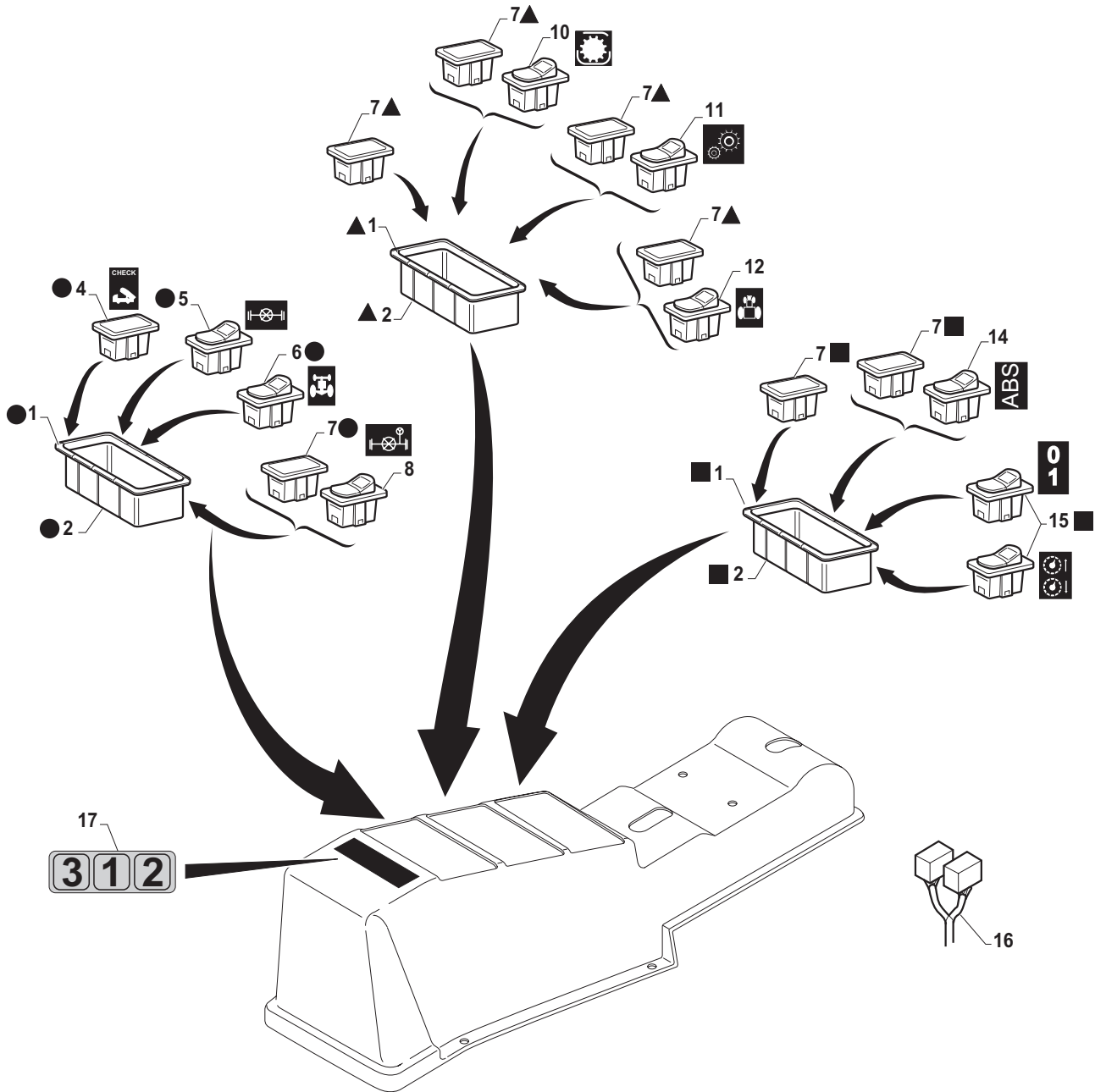
NOTE:



● = 3

Item	Cod.	Q.tà	Denominazione	Designation	Description	Benennung	Descripción
1	30064092	1	Cruise controll-briglia				
2	30064088	1	kit cruise controll				
3	60062001	1	Kit interruttori bloccaggi				
4	30064082	1	Spia	Temoin	Warn.light	Leuchtanzeige	
5	30064077	1	Interruttore	Interrupteur	Switch	Schalter	Interruptor
6	30064076	1	Interruttore	Interrupteur	Switch	Schalter	Interruptor
7	30064075	4	Tappo	Bouchon	Plug	Stopfen	Tapon
8	30064078	1	Interruttore	Interrupteur	Switch	Schalter	Interruptor
9	30064081	1	Interruttore	Interrupteur	Switch	Schalter	Interruptor
10	30064079	1	Interruttore	Interrupteur	Switch	Schalter	Interruptor
11	30064080	1	Interruttore	Interrupteur	Switch	Schalter	Interruptor

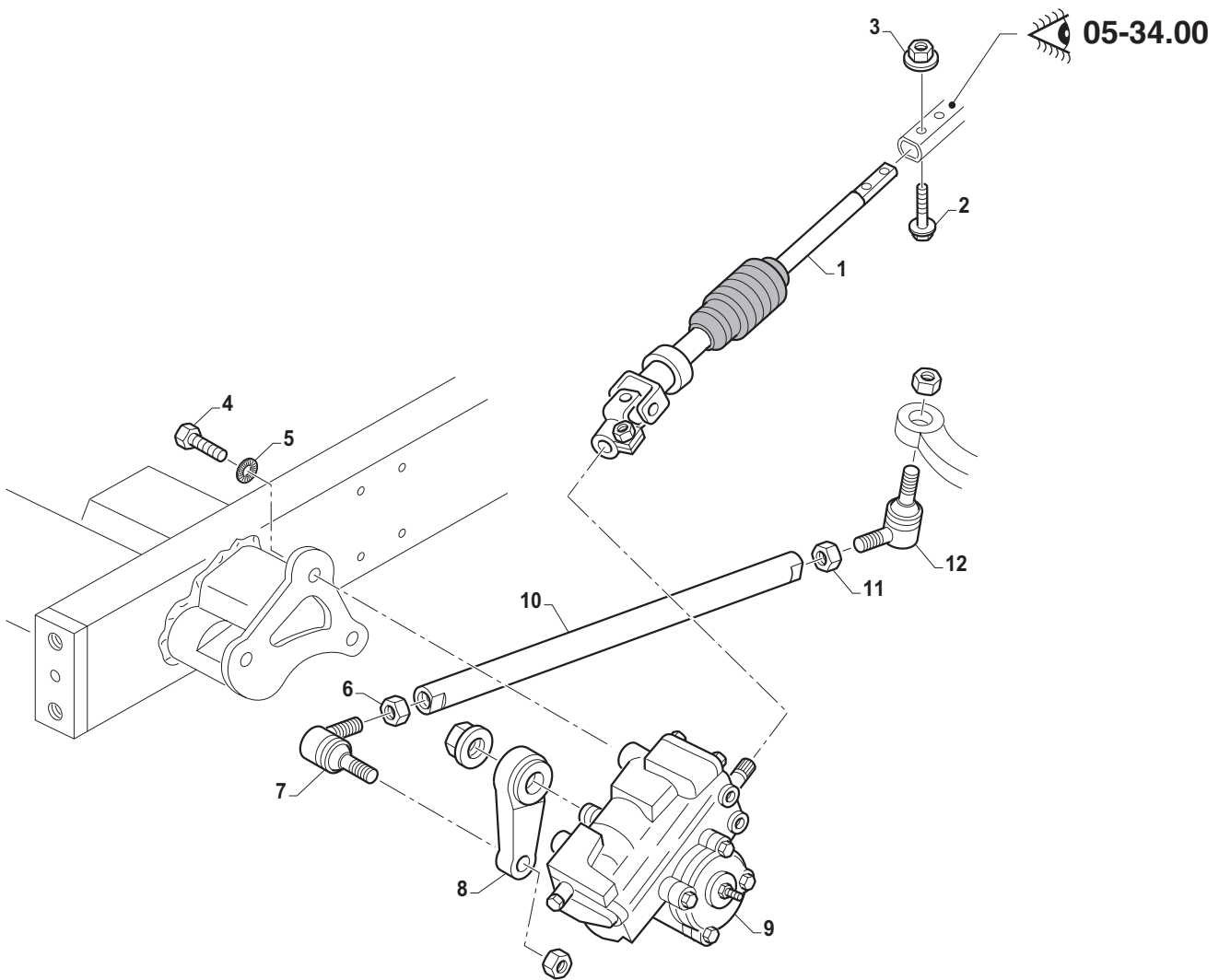
NOTE:



- = 3
- ▲ = 9
- = 13

Item	Cod.	Q.tà	Denominazione	Designation	Description	Benennung	Descripción
1	30064106	2	Cerniera esterna				
2	30064107	2	Cerniera intermedia				
3	60063004	1	Kit interruttori bloccaggi				
4	30064098	1	Spia	Temoin	Warn.light	Leuchtanzeige	
5	30064093	1	Interruttore	Interrupteur	Switch	Schalter	Interruptor
6	30064092	1	Interruttore	Interrupteur	Switch	Schalter	Interruptor
7	30064091	1	Tappo	Bouchon	Plug	Stopfen	Tapon
8	30064078	1	Interruttore	Interrupteur	Switch	Schalter	Interruptor
9	60063003	1	Kit mostrina interruttori				
10	30064079	1	interruttore	Interrupteur	Switch	Schalter	Interruptor
11	30064080	1	Interruttore	Interrupteur	Switch	Schalter	Interruptor
12	30064081	1	Interruttore	Interrupteur	Switch	Schalter	Interruptor
13	60063005	1	Kit cruise controll				
14	30064111	1	Interruttore	Interrupteur	Switch	Schalter	Interruptor
15	30064090	1	Interruttori cruise controll				
16	30063093	1	Briglia cruise				
17	30054181	1	Mostrina				

NOTE:



Item	Cod.	Q.tà	Denominazione	Designation	Description	Benennung	Descripción
1	30063079	1	Albero	Axe	Pin	Welle	Arbol
2	40090612	2	Vite	Vis	Screw	Schraube	Tornillo
3	41510600	2	Dado	Ecrou	Nut	Mutter	Tuerca
4	40031812	3	Vite	Vis	Screw	Schraube	Tornillo
5	41051800	3	Rondella	Rondelle	Washer	Scheibe	Arandela
6	30064062	1	Dado Sx	Ecrou	Nut	Mutter	Tuerca
7	30063008	1	Snodo Sx	Joint	Joint	Gelenk	Articulacion
8	30063004	1	Leva sterzo	Levier de direction	Steering lever	Lenkhebel	Palanca dirección
9	30063000	1	Idroguida	Hydro-direction	Hyd.steering	Servolenkung	Caja
10	30063013	1	Tirante	Tirant	Link	Zugstange	Tirante
11	30064061	1	Dado Dx	Ecrou	Nut	Mutter	Tuerca
12	30063007	1	Snodo Dx	Joint	Joint	Gelenk	Articulacion

NOTE: